

POLYCAST!

DG0641D

600 Series

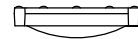
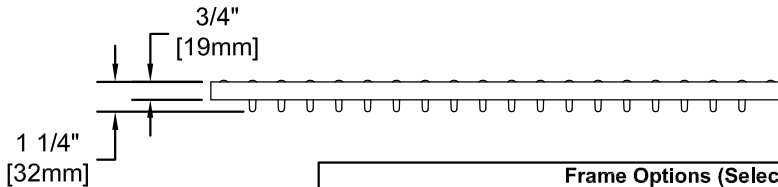
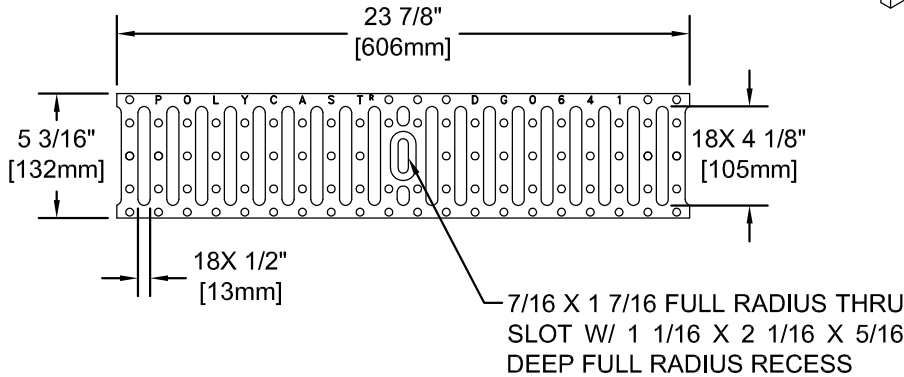
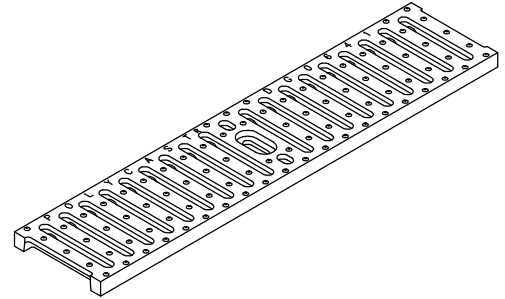
Ductile Iron Slotted

PROJECT ID/
CONTRACT NO: _____

LOCATION: _____

ENGINEERING SPECIFICATION:

POLYCAST® DG0641D is appropriate for many general use conditions. Grating locking device Part No. DA0642BH (not shown) should be used and maintained secure. The grate has 39% (40in²) of open area. The grate is made of ASTM A536 GR. 65-45-12 (ductile iron) and weighs approximately 8lbs [3.63kg]. The grate is only available in a 24" [610mm] length. The grate meets Load Class D when used alone in a 600 Series channel. If grate is used in conjunction with a DG0970 frame it meets Load Class F, a DG0700AA frame then meets Load Class F and a DG0700PE Frame it meets Load Class E.



Frame Options (Select One)			
<input checked="" type="checkbox"/>	Grate Type	Part No.	Load Class
<input type="checkbox"/>	DURAGUARD® Composite Frame	DG0700PE	Class E
<input type="checkbox"/>	HARDNOSE Iron Frame	DG0700AA	Class F
<input type="checkbox"/>	Iron Frame (w/4 anchoring rods)	DG0970	Class F
<input checked="" type="checkbox"/>	Options (Select All That Apply)	Part No.	Additional Specifications:
<input type="checkbox"/>	HARDNOSE Locking Device	DA0642B	
<input type="checkbox"/>	DURAGUARD® Locking Device	DA0642BH	
<input type="checkbox"/>	Stainless Steel Locking Device	DA0642BHSS	
<input type="checkbox"/>	Locking Device	DA0942	
<input type="checkbox"/>	Stainless Steel Locking Device	DA0942S	



APPLICATION LOAD CLASS D:

Highway vehicles, commercial aircraft and low to moderate speeds (parking areas, driveways and warehouses). Designed for a distributed pressure of 450psi (64,800psf).

MEETS THE FOLLOWING STANDARDS & SPECIFICATIONS:

- Federal Aviation Administration (FAA) Advisory Circular Airport Pavement Design and Evaluation (AC 150/5320-6D Appendix 3 Design of Structures for Heavy Aircraft)
- AASHTO Highway Drainage Guidelines
- AASHTO Standard Specification for Highway Bridges

