

RELEASED 5.13.20

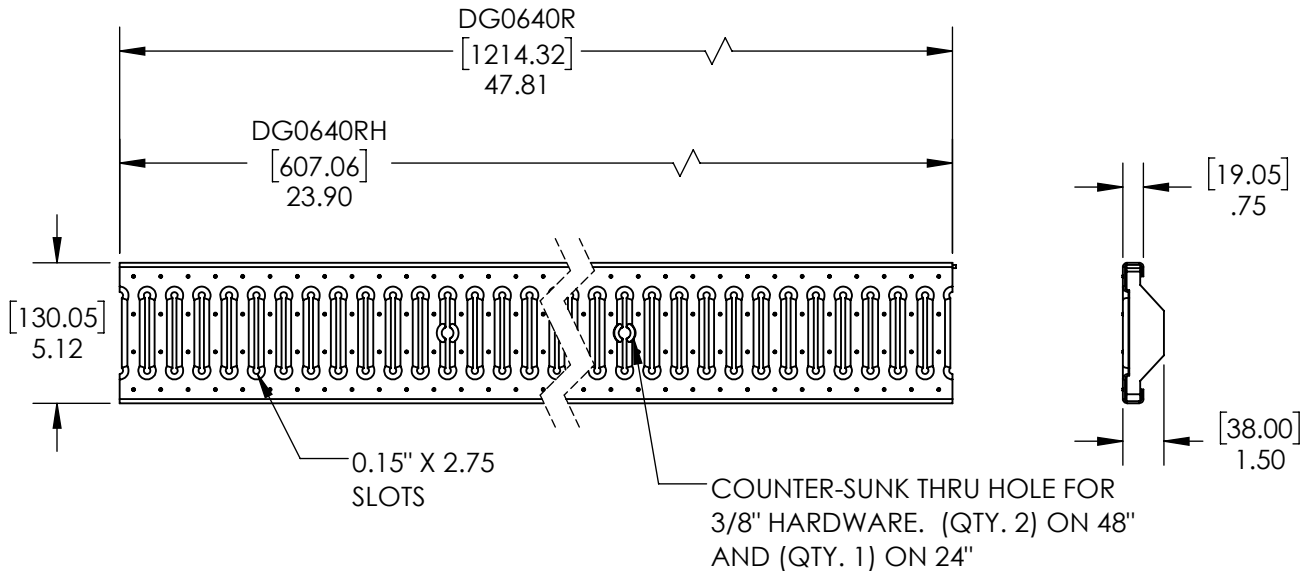
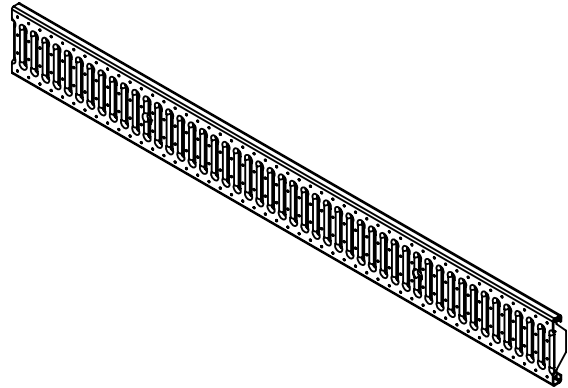
DG0640R

POLYCAST 600 SERIES GALVANIZED REINFORCED SLOTTED GRATE

**APPLICATION LOAD CLASS C:** CURB SIDES, HIGHWAY SHOULDERS AND PARKING AREAS. DESIGNED FOR DISTRIBUTED PRESSURE OF 56,200 LBS (250 kN)

MEETS THE FOLLOWING STANDARDS AND SPECIFICATIONS:

- DIN 19580 / DIN EN 1433 DRAINAGE CHANNELS FOR VEHICULAR AND PEDESTRAIN AREAS.
- THE AMERICANS WITH DISABILITIES ACT OF 1990; 4.5.4
- ASME A112.6.3: SECTION 7.12 HEEL RESISTANT STRAINERS AND GRATES
- AUSTRALIAN STANDARD AS 3996-2006 CLAUSE 3.3.6



**MANUFACTURER**

**POLYCAST<sup>®</sup>**

**SPECIFICATION**

POLYCAST DG0640R REINFORCED GALVANIZED SLOTTED GRATE IS DESIGNED WHERE SANITARY CONDITIONS ARE ESSENTIAL AS WELL AS THE NEED FOR HEEL RESISTANT GRATING. LOCKING DEVICE PART NO DA0642 SHOULD BE USED. THE GRATE HAS 17% (34IN<sup>2</sup>) OF OPEN AREA. THE GRATE IS MADE OF 14 GAUGE GR, GALVANIZED AND WEIGHS APPROXIMATELY 12 LBS. MEETS LOAD CLASS C.

DISCLAIMER - The customer and the customer's architects, engineers, consultants, and other professionals are completely responsible for the selection installation and maintenance of any product purchased from Trench Drain Systems and/or its manufacturers. TRENCH DRAIN SYSTEMS MAKES NO WARRANTY, EXPRESS OR IMPLIED, AS TO THE SUITABILITY, DESIGN, MERCHANTABILITY, OR FITNESS OF THE PRODUCT FOR CUSTOMERS APPLICATION. The drawing and information provided remain the property and copyright of the manufacturer listed. The manufacturer reserves the right to modify specification without notice.