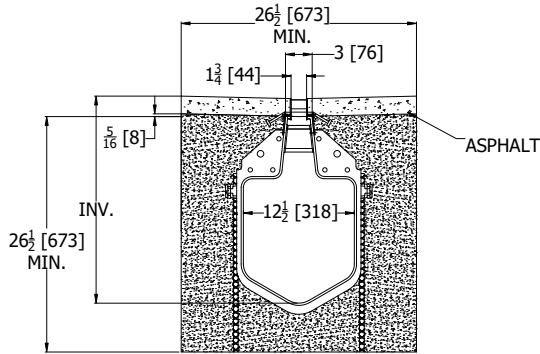




# Z888-18

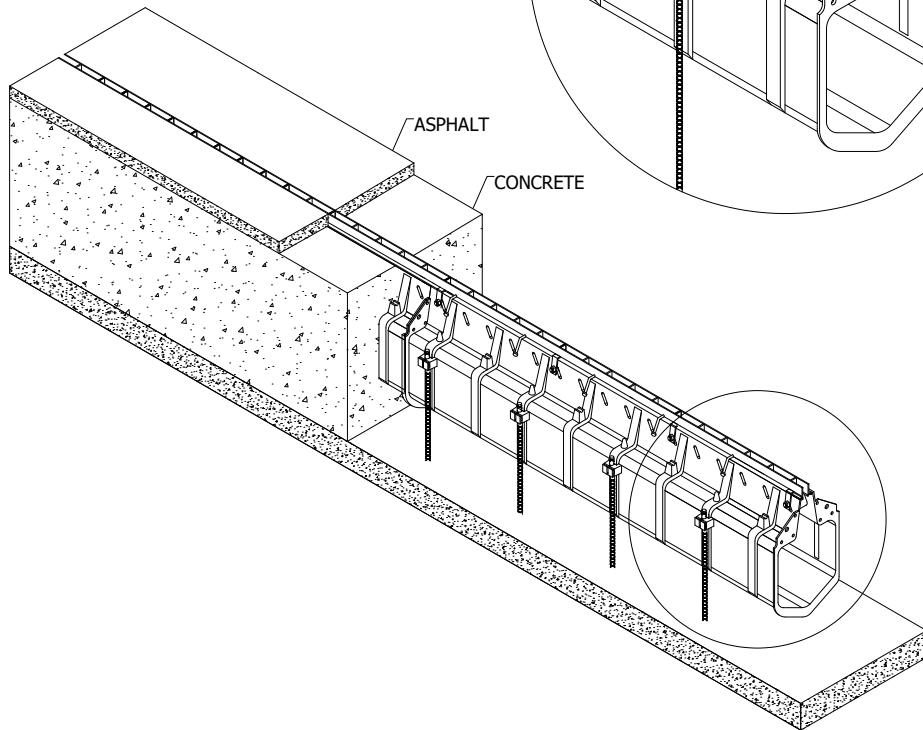
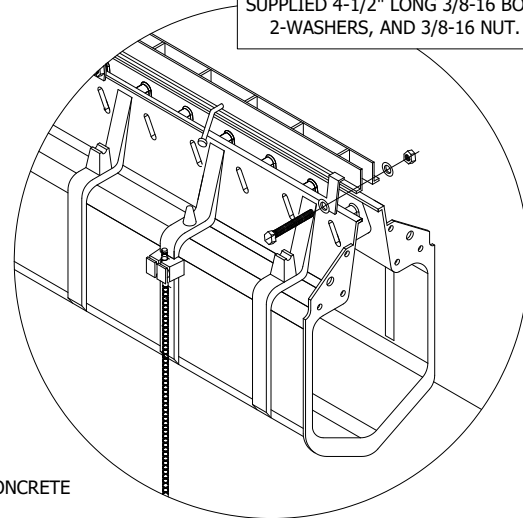
## HI-CAP TRENCH DRAIN SYSTEM ASPHALT INSTALLATION

Dimensional data (inches and [mm]) are subject to manufacturing tolerances and change without notice.



STANDARD INSTALLATION REQUIREMENTS OF CONCRETE

FRAME IS ATTACHED WITH SUPPLIED 4-1/2" LONG 3/8-16 BOLT 2-WASHERS, AND 3/8-16 NUT.



Our system can be installed with asphalt when using our special steel riser. It comes in two standard heights: 2" [50.8 mm] and 4" [101.6 mm]. Different heights are available upon request. The standard concrete installation is suggested around the Hi-Cap body for strength. A standard installation of the asphalt can be done up to a steel frame.

- ⚠ WARNING:** Cancer and Reproductive Harm - [www.P65Warnings.ca.gov](http://www.P65Warnings.ca.gov)
- ⚠ ADVERTENCIA:** Cáncer y daño reproductivo - [www.P65Warnings.ca.gov](http://www.P65Warnings.ca.gov)
- ⚠ AVERTISSEMENT:** Cancer et effets néfastes sur la reproduction - [www.P65Warnings.ca.gov](http://www.P65Warnings.ca.gov)

\*Regularly furnished unless otherwise specified.

**Zurn Industries, LLC | Specification Drainage Operation**  
 1801 Pittsburgh Avenue, Erie, PA U.S.A. 16502 · Ph. 855-663-9876, Fax 814-454-7929  
 In Canada | **Zurn Industries Limited**  
 3544 Nashua Drive, Mississauga, Ontario L4V 1L2 · Ph. 905-405-8272, Fax 905-405-1292  
[www.zurn.com](http://www.zurn.com)

Rev. A  
 Date: 6/11/2018  
 C.N. No. 140145  
 Form No. FT692