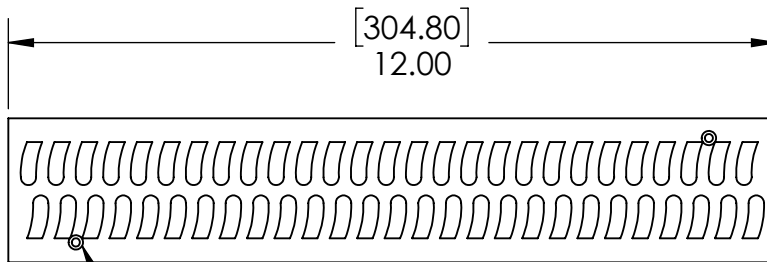
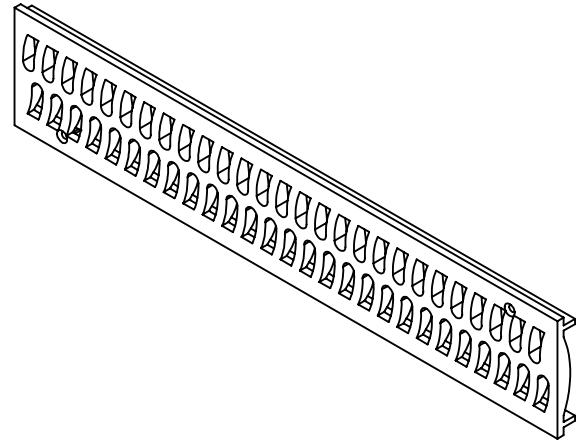
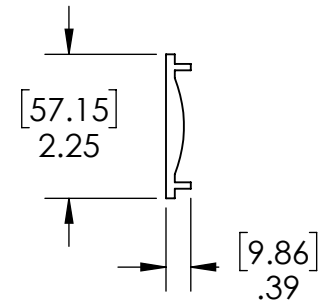


BA-SLOT-0212	BRONZE AGE SLOT 2.0" X 12.0" GRATE
--------------	------------------------------------

PART NO.	MATERIAL	FINISH
BA-SLOT-0212	BRONZE	NATURAL
BA-SLOT-0212-A	ALUMINUM	NATURAL
BA-SLOT-0212-B	BRONZE	BRUSHED



(2) COUNTER-SUNK HOLES
 DESIGNED FOR #4 HARDWARE



SPECIFICATION

TDS BRONZE AGE BA-SLOT-0212 GRATES ARE DESIGNED FOR RESIDENTIAL AREAS USED BY PEDESTRIAN AND CYCLISTS. DESIGNED TO BE USED IN NDS SLIM CHANNEL. LOCKING DEVICE PART NUMBER TDS-529 SHOULD BE USED. THE GRATES ARE MADE OF BRONZE OR ALUMINUM WITH A NATURAL OF BRUSHED FINISH. MEETS LOAD CLASS A.

DISCLAIMER - The customer and the customer's architects, engineers, consultants, and other professionals are completely responsible for the selection installation and maintenance of any product purchased from Trench Drain Systems and/or its manufacturers. TRENCH DRAIN SYSTEMS MAKES NO WARRANTY, EXPRESS OR IMPLIED, AS TO THE SUITABILITY, DESIGN, MERCHANTABILITY, OR FITNESS OF THE PRODUCT FOR CUSTOMERS APPLICATION. The drawing and information provided remain the property and copyright of the manufacturer listed. The manufacturer reserves the right to modify specification without notice.