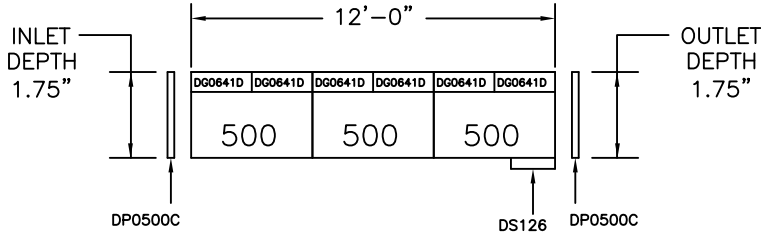


ITEM	PART NO.	DESCRIPTION	QTY.
1	DG0641D	GRATE: DUCTILE IRON SLOTTED 2FT	6
2	DA0542B	LOCKING DEVICE	6
3	DP0500C	END CAP – SOLID	2
4	DS-126	BOTTOM OUTLET 4" DIA	1
5	DA0633	INSTALLATION CHAIR	4
6	DP0500	CHANNEL NEUTRAL POLYCAST 500 – 48.00"	3
7	LIT-PC8	INSTALLATION MANUAL	1



**CUSTOMER APPROVAL**

DATE: \_\_\_\_\_

NAME: \_\_\_\_\_

SIGNATURE: \_\_\_\_\_

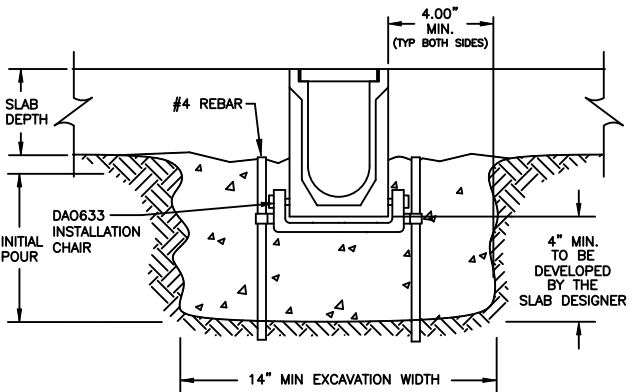
I HAVE REVIEWED THE SYSTEM DIMENSIONS PROVIDED AND APPROVE TDS TO PROCEED WITH RELEASING FOR PRODUCTION. I UNDERSTAND THAT ONCE RELEASED FOR PRODUCTION, ANY REVISION WILL RESULT IN ADDITIONAL CHARGES.

CUSTOM ITEMS ARE NON-RETURNABLE

**DISCLAIMER** – THE CUSTOMER AND THE CUSTOMER'S ARCHITECTS, ENGINEERS, CONSULTANTS, AND OTHER PROFESSIONALS ARE COMPLETELY RESPONSIBLE FOR THE SELECTION, INSTALLATION AND MAINTENANCE OF ANY PRODUCT PURCHASED FROM TRENCH DRAIN SYSTEMS AND/OR ITS MANUFACTURERS. TRENCH DRAIN SYSTEMS MAKES NO WARRANTY, EXPRESS OR IMPLIED, AS TO THE SUITABILITY, DESIGN, MERCHANTABILITY, OR FITNESS OF THE PRODUCT FOR CUSTOMERS APPLICATION. THE DRAWING AND INFORMATION PROVIDED REMAIN THE PROPERTY AND COPYRIGHT OF THE MANUFACTURER LISTED. THE MANUFACTURER RESERVES THE RIGHT TO MODIFY SPECIFICATION WITHOUT NOTICE.

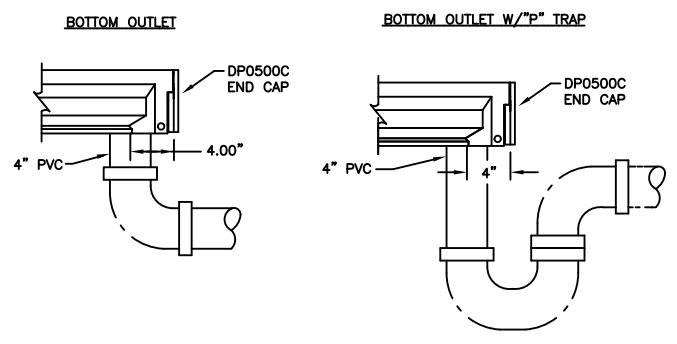
**STANDARD CHAIR INSTALLATION**

(SECURE CHAIR IN BOTTOM DIMPLES ON THE CHANNELS)



**CHANNEL OUTLET DETAILS**

(ALL END CAPS ARE TO BE SECURED WITH AN ADHESIVE)



--	--	--	--

REV	DESCRIPTION	BY	DATE

<p><b>TRENCH DRAIN SYSTEMS</b> PO BOX 377 FREMONT, OH 43420 610-638-1221</p>	<p>DRAWN: CJP</p> <p>CHECKED: _____</p> <p>DATE: 6.13.19</p>
	<p>DESCRIPTION</p> <p>POLYCAST 500 SYSTEM LENGTH; 12FT DG0641D GRATE</p>
	<p>DWG. NO.</p> <p>PCK5-DG0641D-12</p>
	<p>DO NOT SCALE DRAWING</p> <p>WEIGHT: 227#</p> <p>SHEET 1 OF 1</p>

PROPRIETARY AND CONFIDENTIAL; THE INFORMATION CONTAINED IN THIS DRAWING IS THE SOLE PROPERTY OF TDS. ANY REPRODUCTION IN PART OR WHOLE WITHOUT THE WRITTEN PERMISSION OF TDS IS PROHIBITED.