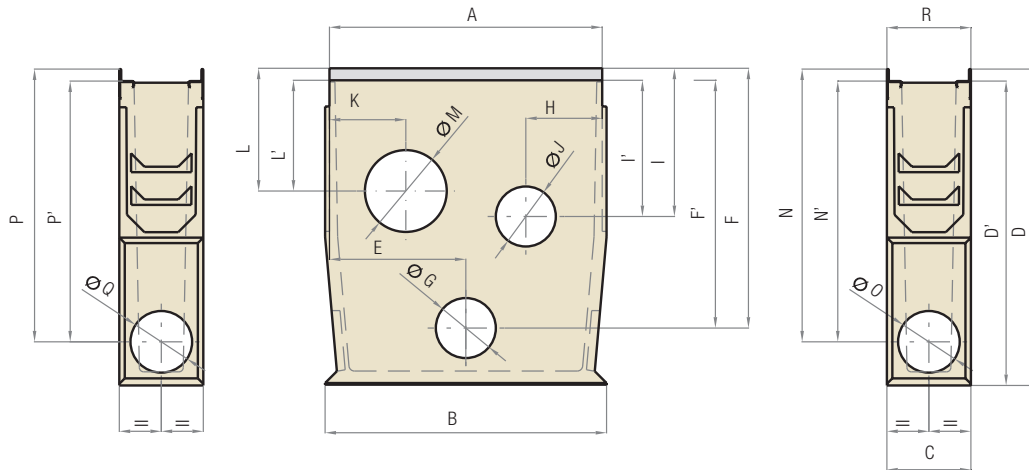
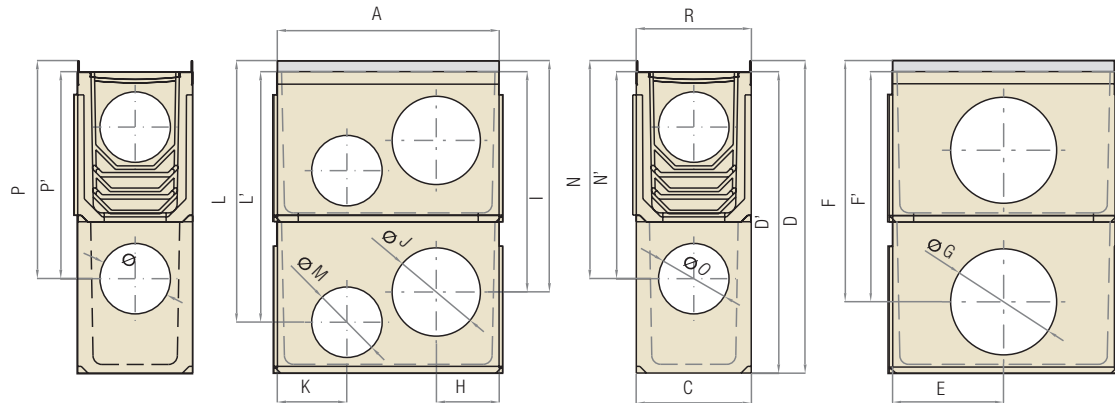


# GENERAL DIMENSIONS OF INDIVIDUAL **SUMP UNITS**



	A	B	C	D	D'	E	F	F'	G	H	I	I'	J	K	L	L'	M	N	N'	O	P	P'	Q	R
AK100	19.69 [500]	20.31 [516]	5.12 [130]	22.05 [560]	-	9.84 [250]	18.50 [470]	-	4 [110]	5.51 [140]	8.66 [220]	-	6 [160]	5.51 [140]	8.66 [245]	-	4 [110]	18.50 [470]	-	3 1/2 [90]	18.50 [470]	-	3 1/2 [90]	5.12 [130]
AR100G	19.69 [500]	19.69 [500]	5.35 [136]	19.29 [490]	-	9.84 [250]	15.35 [390]	-	4 [110]	9.84 [250]	370	-	6 [160]	-	-	-	-	15.35 [390]	-	4 [110]	-	-	-	-
AR200G	19.69 [500]	19.69 [500]	9.29 [236]	21.65 [550]	-	5.51 [140]	16.69 [424]	-	8 [200]	5.51 [140]	16.93 [430]	-	6 [160]	-	-	-	-	18.07 [459]	-	4 [110]	-	-	-	-
AR300G100	19.69 [500]	20.31 [516]	14.17 [360]	15.35 [390]	-	7.36 [187]	9.45 [240]	-	8 [200]	4.02 [102]	10.43 [265]	-	6 [160]	8.66 [220]	292	-	4 [110]	-	-	-	-	-	-	14.17 [360]
AF250	19.69 [500]	20.31 [516]	12.20 [310]	15.75 [400]	-	-	-	-	-	6 [160]	9.65 [245]	-	6 [160]	5.91 [150]	8.07 [205]	-	8 [200]	-	-	-	-	-	-	12.20 [310]
AF300	19.69 [500]	20.31 [516]	14.17 [360]	15.35 [390]	-	9.84 [250]	9.84 [250]	-	8 [200]	-	-	-	-	-	-	-	-	-	-	-	-	-	-	14.17 [360]

# GENERAL DIMENSIONS OF DOUBLE **SUMP UNITS**



	A	B	C	D	D'	E	F	F'	G	H	I	I'	J	K	L	L'	M	N	N'	O	P	P'	Q	R
AF250S+A250B	19.69 [500]	20.31 [516]	12.20 [310]	29.53 [750]	-	-	-	-	-	6 [160]	23.43 [595]	-	6.30 [160]	5.91 [150]	21.85 [555]	-	8 [200]	-	-	-	-	17.72 [450]	-	12.44 [316]
AF250S+A250B415	19.69 [500]	19.69 [500]	12.20 [310]	36.06 [916]	-	9.84 [250]	26.10 [663]	-	16 [415]	-	-	-	-	-	-	-	-	30.43 [773]	-	8 [200]	-	-	-	12.44 [316]
AB250S+A250B	19.69 [500]	20.31 [516]	12.20 [310]	29.53 [750]	-	-	-	-	-	6 [160]	23.43 [595]	-	6 [160]	5.91 [150]	21.85 [555]	-	8 [200]	-	-	-	-	-	-	12.44 [316]
AB250S+A250B415	19.69 [500]	19.69 [500]	12.20 [310]	36.06 [916]	-	9.84 [250]	26.10 [663]	-	16 [415]	-	-	-	-	-	-	-	-	30.43 [773]	-	8 [200]	-	16.14 [410]	-	12.44 [316]
AF300S+A300B	19.69 [500]	20.31 [516]	14.17 [360]	28.74 [730]	-	9.84 [250]	9.84 [250]	-	8 [200]	-	-	-	-	-	-	-	-	-	-	-	-	3.74 [95]	-	14.41 [366]
AR300G100S + AR300G100B	19.69 [500]	20.31 [516]	14.17 [360]	28.74 [730]	-	7.36 [187]	22.72 [577]	-	8 [200]	4.02 [102]	23.70 [602]	-	6 [160]	8.66 [220]	24.80 [630]	-	-	-	-	-	-	-	-	14.41 [366]
AOCULTO100S +AU100	19.69 [500]	20.31 [516]	5.12 [130]	-	26.93 [684]	10.16 [258]	-	23.39 [594]	4 [110]	5.51 [140]	-	13.54 [344]	6 [160]	5.51 [140]	-	14.53 [369]	4 [110]	-	23.39 [594]	3 1/2 [90]	-	-	23.39 [594]	5.51 [140]
AOCULTO100S+ AEURO100	19.69 [500]	19.69 [500]	5.12 [130]	-	17.40 [442]	-	-	-	-	4.53 [115]	-	14.45 [367]	3.54 [90]	4.53 [115]	-	14.06 [357]	4 [110]	-	13.86 [352]	3 1/2 [90]	-	-	13.86 [352]	5.51 [140]