

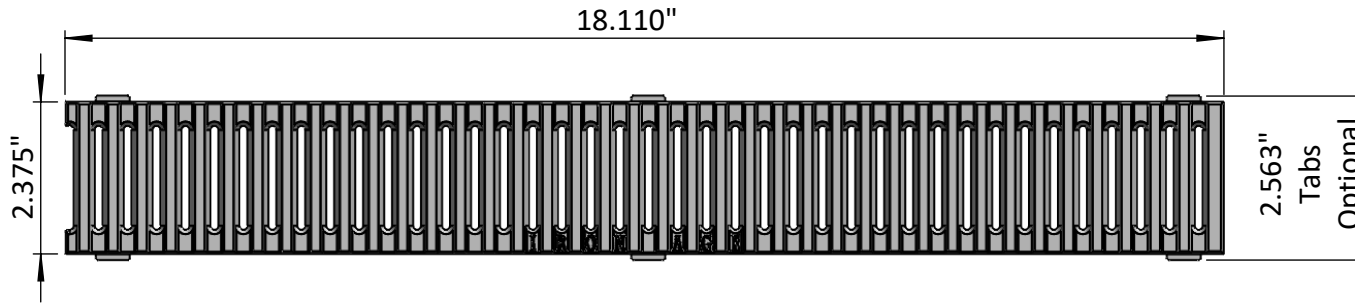
### 3 ARRAY

scale 1:6



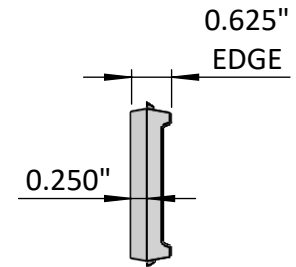
### Top VIEW

scale 1:3



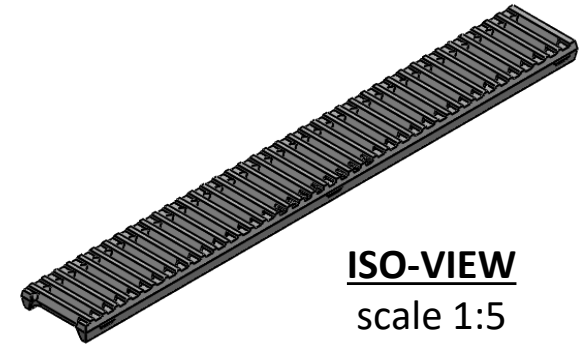
### END VIEW

scale 1:3



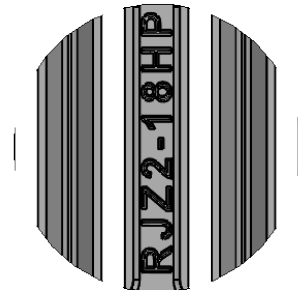
### SIDE VIEW

scale 1:3



### ISO-VIEW

scale 1:5



### CASTING -ID

scale 1:1

### NOTES:

1. Heel Proof: No thru openings greater than 1/4".
2. Ships in 1 piece.
3. Due to casting inconsistencies, all dimensions are nominal.

Regular Joe 2" x 18" Heel Proof Trench Grate

Made in USA ©2017 Iron Age Designs

 **IRON AGE**  
**DESIGNS**  
Telephone 206.276.0925  
www.ironagegrates.com

Material: Cast Ductile Iron

Weight: 3.35 lbs.

Free Area 10.85"sq  
(approx): (23.38%)

By: MS checked by MS Date: 11/29/18

Standard Raw  
Finish:

Edge  
Thickness: .625"

Gallon/ Min sq area x FDA  
(approx): x1.31= 30.63 GPM

Scale: 1:3

Fits: Zurn® Z880

Product ID: RJZ2-18I31HP

Drawing Name: 003-JOE.Z.2x18