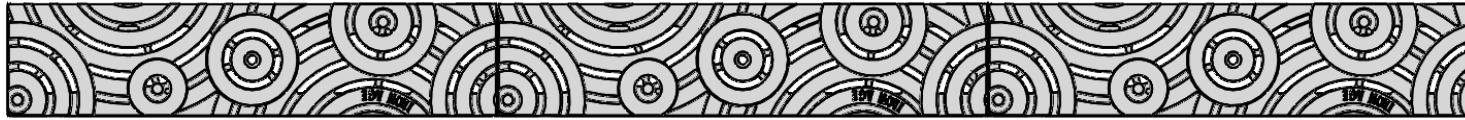


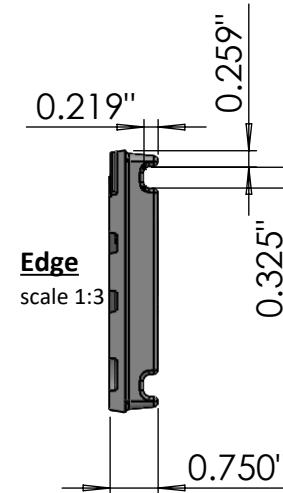
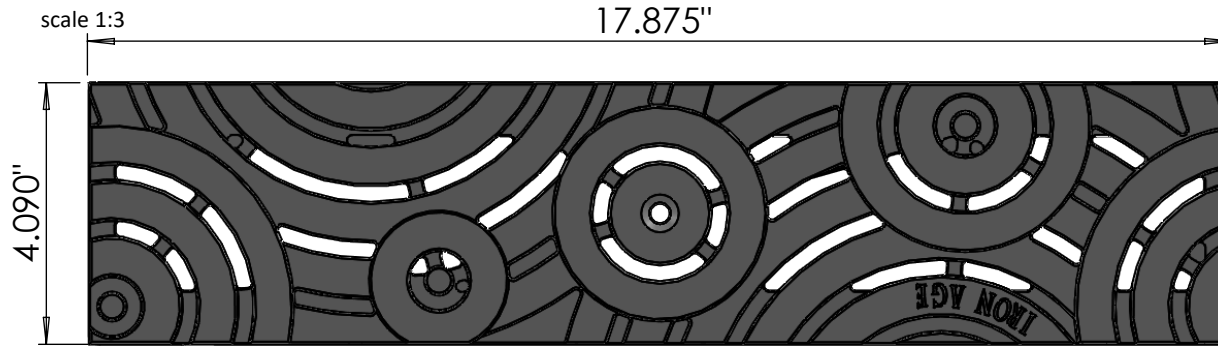
**Array 3x**

scale 1:7



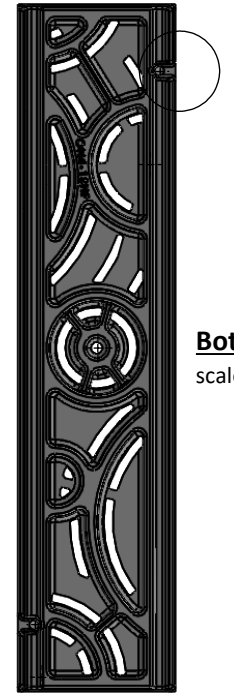
**Top**

scale 1:3



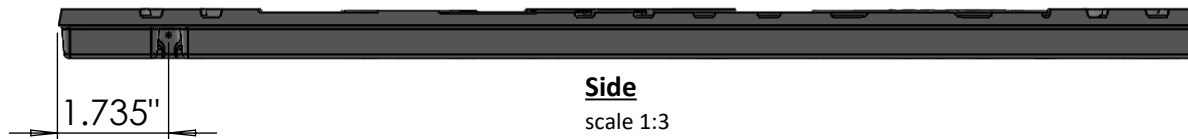
**Edge**

scale 1:3



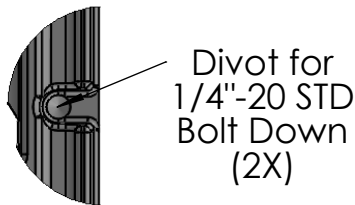
**Bottom**

scale 1:5



**Side**

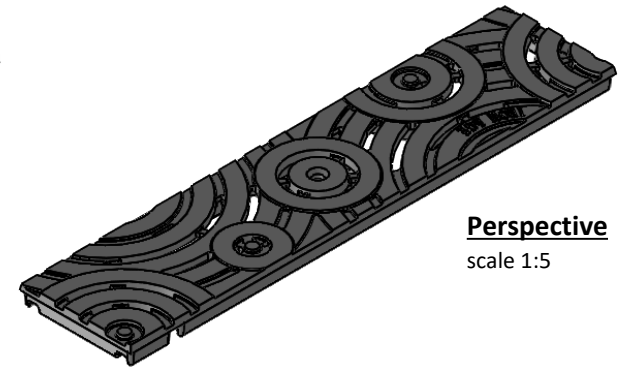
scale 1:3



Divot for  
1/4"-20 STD  
Bolt Down  
(2X)



**Casting  
Identifier**



**Perspective**

scale 1:5

**NOTES:**

1. Heel Proof: No thru openings greater than 1/4"
2. Ships in 1 piece.
3. Due to casting inconsistencies, all dimensions are nominal.

Made in USA ©2018 Iron Age Designs

**Oblio 4" x 18" Heel Proof Trench Grate**



Material: Cast Ductile Iron

Weight: 7.66 lbs.

Free Area 6.92"sq  
(approx): (9.45%)

By: JH checked by MS

Date: 11/28/18

Standard  
Finish: Raw

Edge  
Thickness: 0.75"

Gallon/ Min sq area x FDA  
(approx): x1.31= 12.38 GPM

© Registration:

Scale: 1:3

Fits: NDS® Spee-D® Channel

Product ID: ON4-18I02HP

Drawing Name: 01\_OBL\_NDS\_4x18\_HP