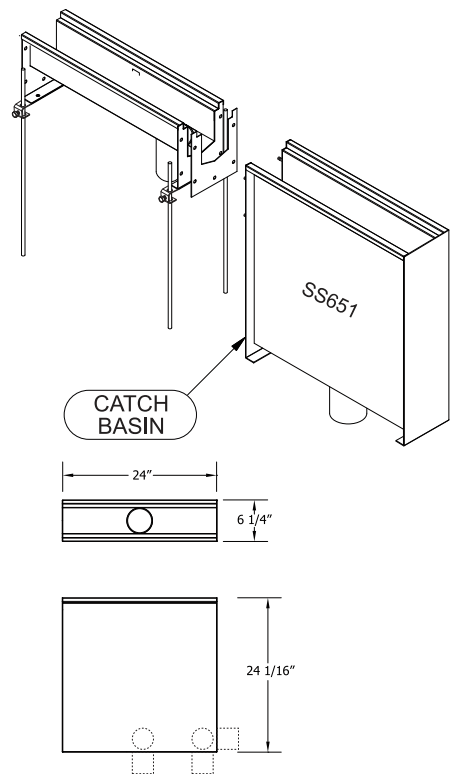


Catch Basins

Catch Basin 6-1/4" x 24" SS650

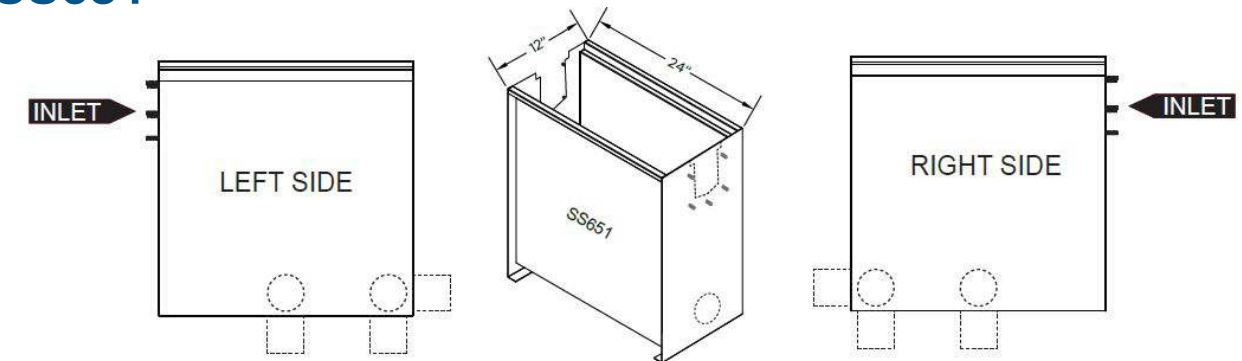
Trench Drain Systems offers SS600 Series™ stainless steel catch basins to help catch sediment and debris. Catch basins can be placed with the channel run at the same locations as the end outlet. Catch basins can also be placed in the center of a channel run with both channel runs sloping toward the catch basin.



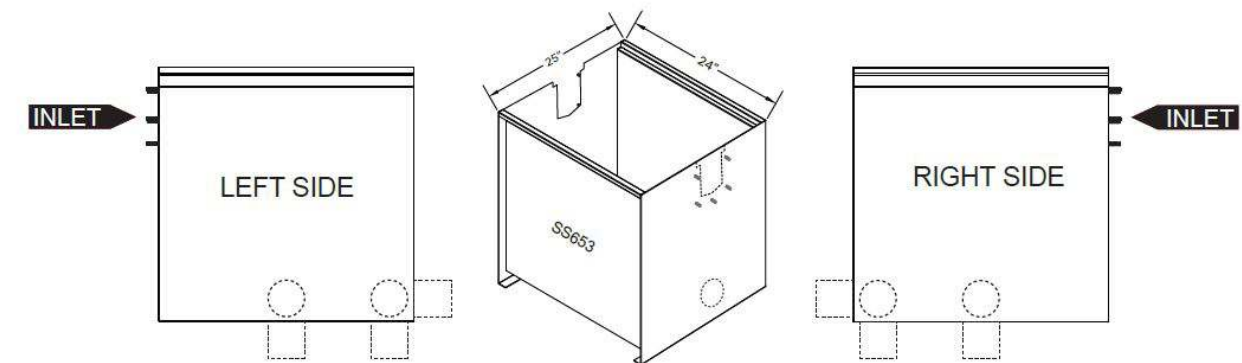
The SS650 catch basin comes in a standard 6-1/4" x 24". Outlet options pertaining to size and position are configured upon ordering.

This catch basin uses the same grating options as the channel. Debris baskets are also available.

Catch Basin 12" x 24" SS651



Catch Basin 24" x 24" SS653



Catch Basin Grates

Choose from cast iron, stainless bar or several fiberglass options.

