

# POLYCAST®

DG0659

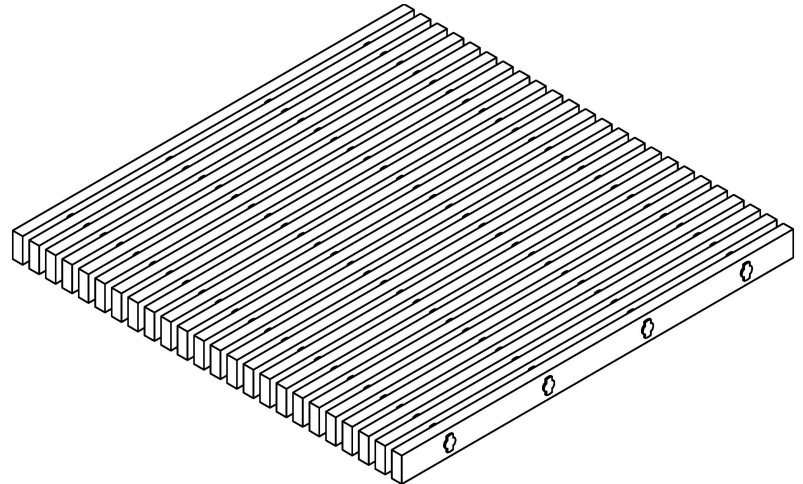
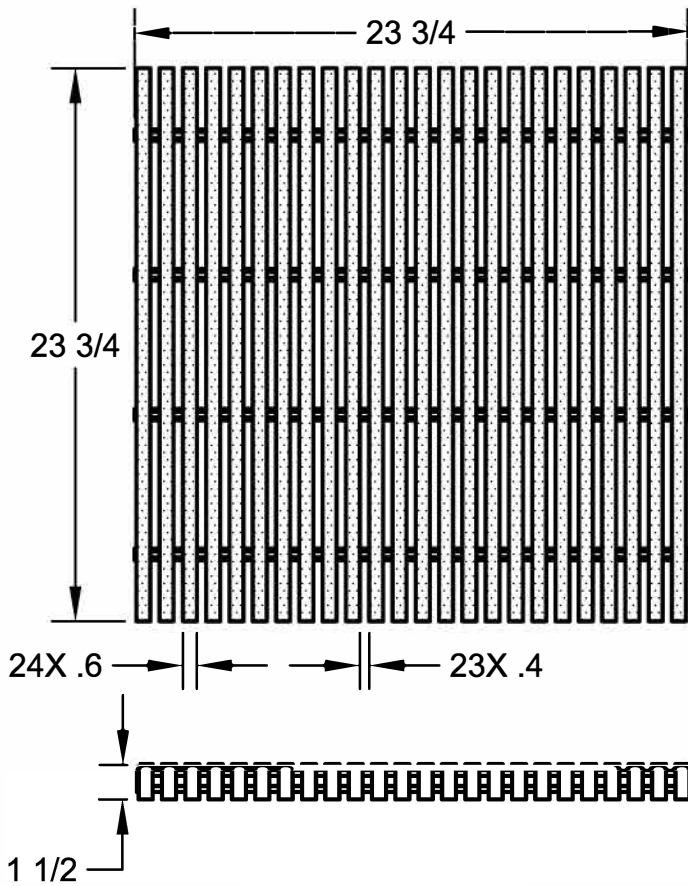
600, 700 & FP Series  
Fiberglass

PROJECT ID/  
CONTRACT NO: \_\_\_\_\_

LOCATION: \_\_\_\_\_

## ENGINEERING SPECIFICATION:

POLYCAST® DG0659 DESIGNED FOR USE WITH POLYCAST VINYL ESTER CATCH BASINS IN AREAS REQUIRING EXTREME CHEMICAL RESISTANCE. THIS GRATE IS ADA COMPLAINT.



DIN APPLICATION LOAD CLASS A:  
Residential, pedestrian, and cyclist traffic.  
Designed for a distributed pressure of 3.372 lbs (15 kN).

Meets the following Standards & Specifications:

- DIN 19580 / DIN EN 1433 Drainage Channels for Vehicular and Pedestrian Areas
- The Americans with Disabilities Act of 1990: 4.5.4
- Australian Standard AS 3996-2006 Clause 3.3.6



Trench Drain Systems is the largest stocking distributor of Hubbell POLYCAST® in the US  
trenchdrain.com • 610-638-1221