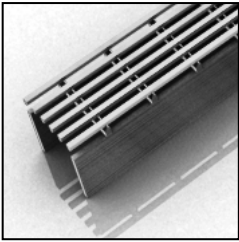


ID Infinity Drain



S-AG 38 Series

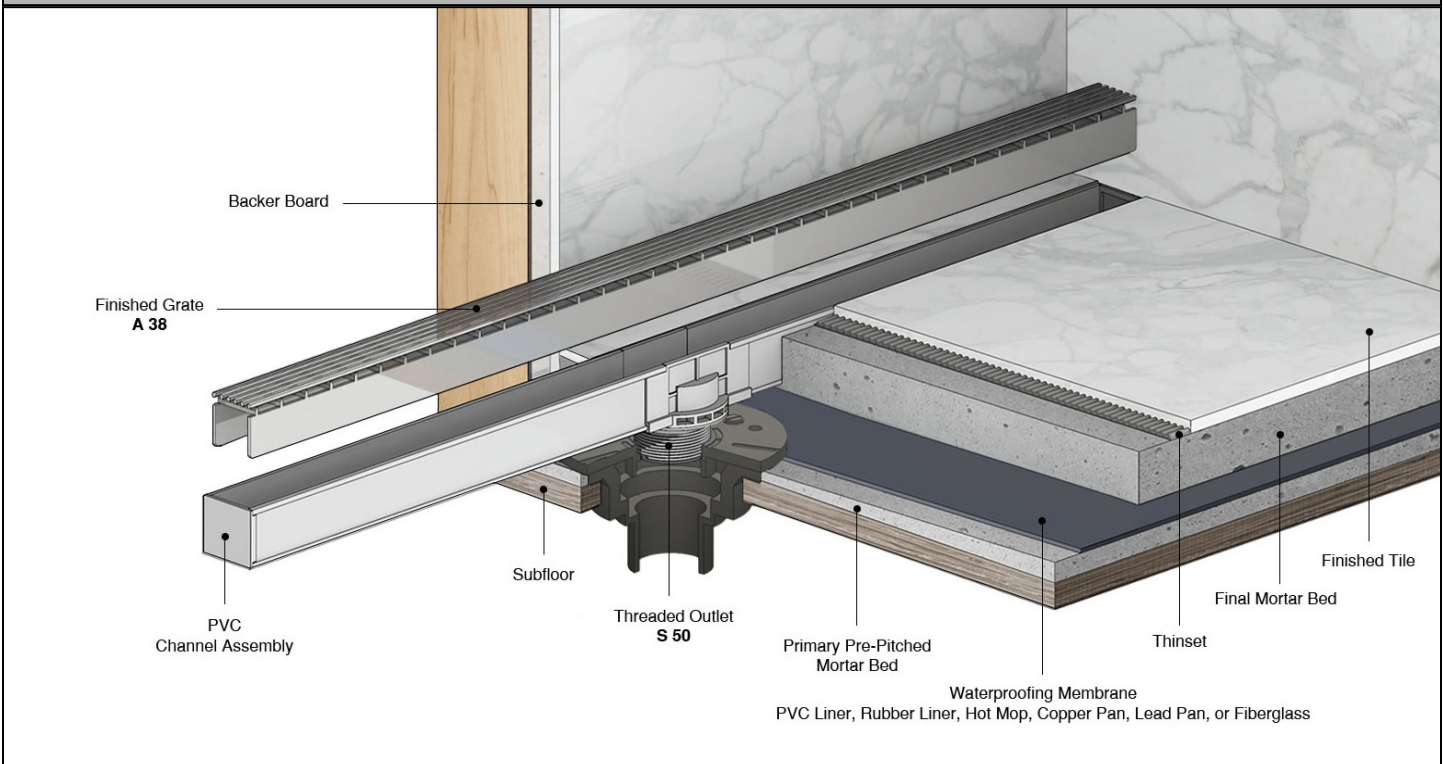
SITE SIZABLE PVC

- S-AG 3836 - 36" Complete Kit
- S-AG 3848 - 48" Complete Kit
- S-AG 3860 - 60" Complete Kit
- S-AG 3896 - 96" Complete Kit

Features

- Modify length and outlet location on site
- Indoor or outdoor use
- PVC Channel
- 316L stainless steel Wedge Wire grate
- Works with 2" clamp down floor with 2" throat/strainer size *(not included)*
- NOT INTENDED for installation across a barrier-free threshold
- Compatible with: PVC Liner, Rubber Liner (Chloraloy®), Hot Mop, Lead Pan, Copper Pan, or Fiberglass
- Flow rate - 9 gpm per outlet
 - Flow rate measured at outlet only. Measurement does not account for water in channel or sheeting on shower floor.
 - Additional outlets can be added and combined into a larger waste line to increase flowrates

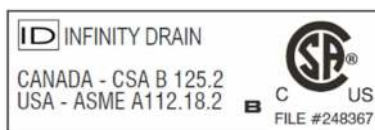
Installation



Care & Maintenance

S-AG 38 stainless steel linear drain top grates are made of 316 stainless steel. This material is non-porous, hygienic, rust-free and extremely durable. Bar Keepers Friend® and Soft Scrub® are commonly available products that can be used to protect and clean your Satin Stainless drain cover. For stains that have been left for excessive time, stronger cleaning agents such as Compound 302® may be needed. For Polished Stainless and Oil Rubbed Bronze we recommend a mild soap and a soft cloth for cleaning. DO NOT use any abrasive cleaners, scrub pads or all household cleaning agents, such as bleach, sit on your drain cover for a long period of time. Stainless steel does not rust. External factors, such as contamination from other highly ferrous metals, built up road salt, sea salt, or chlorine may have caused "surface" rust which can be removed using Barkeepers Friend®, Soft Scrub® with Bleach, or Compound 302®. Always follow the directions on the bottle. Follow proper maintenance procedures to prevent excessive surface rust. In areas of frequent exposure to salt, chlorine, and other chemical compounds, maintenance of the stainless grates should be preformed at least 2-3 times per year.

Infinity Drain
 18 Secatoag Avenue
 Port Washington, NY 11050
 Phone: 516.767.6786
 Fax: 516.740.3066
 www.Infinity Drain.com



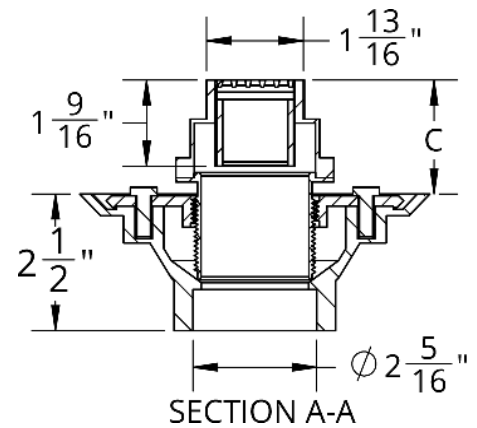
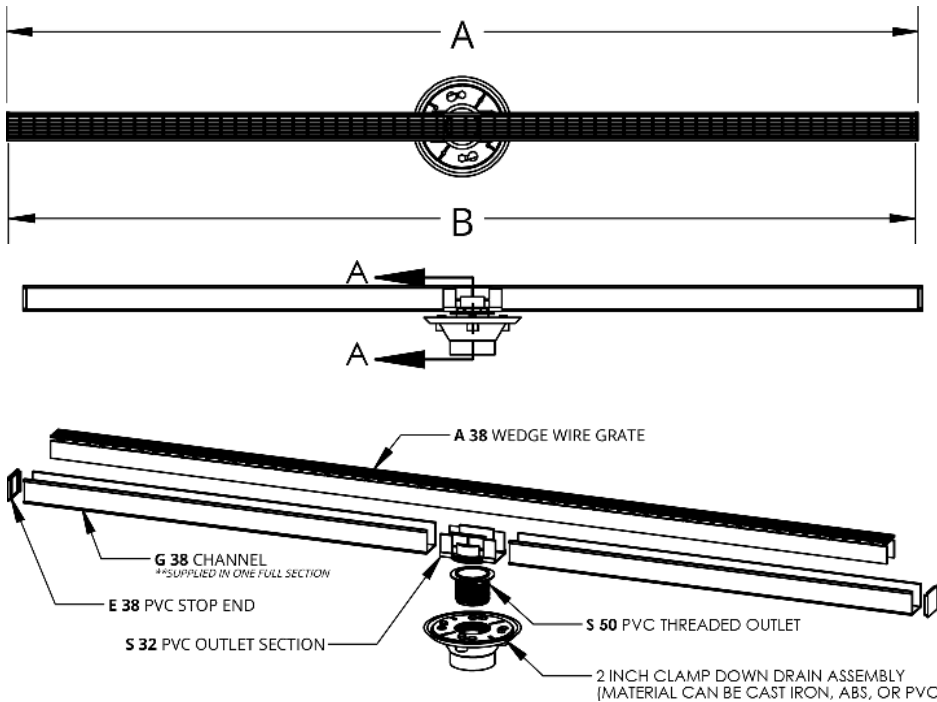
NOTE: Installer must verify all rough-in dimensions prior to installation and consult local and national codes. Conformity and compliance to local and national codes are the responsibility of the installer.

ID Infinity Drain

S-AG 3836

S-AG3848

S-AG 3860



Model Number	Complete Kit Contents	A (Maximum Overall Length)	B (Maximum Grate Length)	C (Minimum Height Above Waterproofing) * All heights can be adjusted upwards an additional 1-1/4"
<input type="checkbox"/> S-AG 3836	1 - A 3836 Stainless Steel Grate 1 - G 3836 PVC Channel 2 - E 38 PVC Stop End 1 - S 32 PVC Outlet Section 1 - S 50 PVC Threaded Outlet 1 - HS 2 2" Hair Strainer 2 - CT 36 Channel Trim 1 - AKEY Lift Out Key	36"	35 7/8"	With CDI 22: 2 1/2" With CDA 22: 2 1/8" With CDP 22: 2 1/8"
<input type="checkbox"/> S-AG 3848	1 - A 3848 Stainless Steel Grate 1 - G 3848 PVC Channel 2 - E 38 PVC Stop End 1 - S 32 PVC Outlet Section 1 - S 50 PVC Threaded Outlet 1 - HS 2 2" Hair Strainer 2 - CT 48 Channel Trim 1 - AKEY Lift Out Key	48"	47 7/8"	With CDI 22: 2 1/2" With CDA 22: 2 1/8" With CDP 22: 2 1/8"
<input type="checkbox"/> S-AG 3860	1 - A 3860 Stainless Steel Grate 1 - G 3860 PVC Channel 2 - E 38 PVC Stop End 1 - S 32 PVC Outlet Section 1 - S 50 PVC Threaded Outlet 1 - HS 2 2" Hair Strainer 2 - CT 60 Channel Trim 1 - AKEY Lift Out Key	60"	59 7/8"	With CDI 22: 2 1/2" With CDA 22: 2 1/8" With CDP 22: 2 1/8"

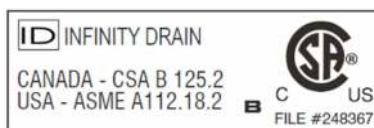
Finishes

Satin Stainless

Polished Stainless

Lifetime Oil Rubbed Bronze

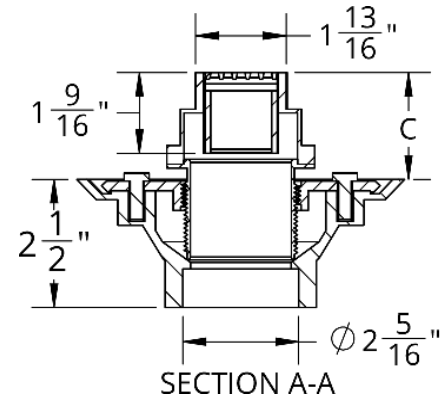
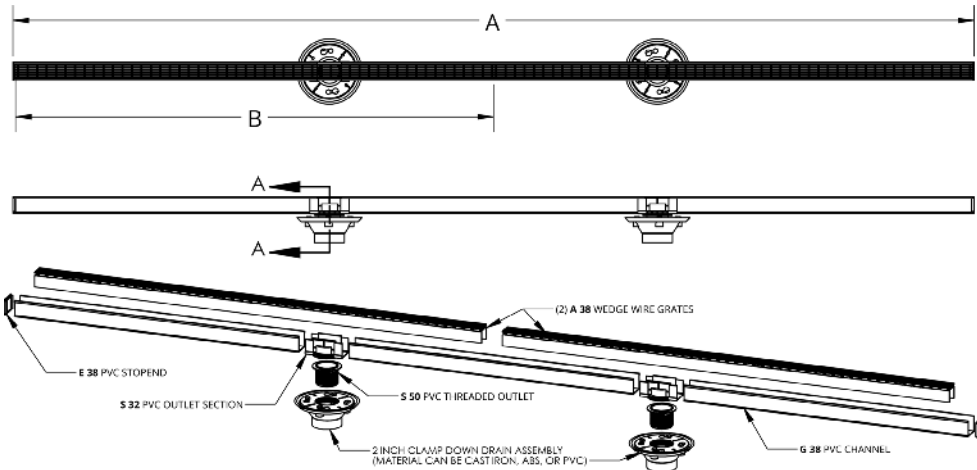
Infinity Drain
 18 Secatoag Avenue
 Port Washington, NY 11050
 Phone: 516.767.6786
 Fax: 516.740.3066
 www.Infinity Drain.com



NOTE: Installer must verify all rough-in dimensions prior to installation and consult local and national codes. Conformity and compliance to local and national codes are the responsibility of the installer.

ID Infinity Drain

S-AG 3896 ONLY



Model Number	Complete Kit Contents	A (Maximum Overall Length)	B (Maximum Grate Length)	C (Minimum Height Above Waterproofing) * All heights can be adjusted upwards an additional 1-1/4"
S-AG 3896	2 - A 3848 Stainless Steel Grate 1 - G 3896 PVC Channel 2 - E 38 PVC Stop End 2 - S 32 PVC Outlet Section 2 - S 50 PVC Threaded Outlet 2 - HS 2 2" Hair Strainer 2 - CT 96 Channel Trim 1 - AKEY Lift Out Key	96"	47 7/8" (x 2)	With CDI 22: 2 1/2" With CDA 22: 2 1/8" With CDP 22: 2 1/8"

Finishes

- Satin Stainless
 Polished Stainless
 Lifetime Oil Rubbed Bronze

Optional Components

F 65	PVC Non-Threaded Outlet
GJC 38	PVC Straight Joiner Strip
GAM 38	PVC 90° Angle Joiner
TNRN-P	PVC Threaded Extension Nipple
UCP 2	Universal 2" Clamping Plate
UCP 4	Universal 4" Clamping Plate
UCP 42	Universal Reducing Plate (Adapts 4" or 3" existing throat size to 2")

Add Clamp Down Drain

CDA 22	Clamp Down Drain ABS
CDI 22	Clamp Down Drain Cast Iron
CDP 22	Clamp Down Drain PVC

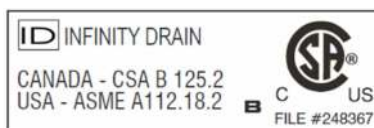


2" clamp down drain not included in kit

Available components for longer lengths

A 3836	36" Stainless Steel Grate
A 3848	48" Stainless Steel Grate
A 3860	60" Stainless Steel Grate
G 3836	36" PVC Channel
G 3848	48" PVC Channel
G 3860	60" PVC Channel
G 3896	96" PVC Channel
G 38108	108" PVC Channel
E 38	PVC Stop End
S 32	PVC Outlet Section
S 50	PVC Threaded Nipple
CT 36	36" Channel Trim
CT 48	48" Channel Trim
CT 60	60" Channel Trim
CT 96	96" Channel Trim

Infinity Drain
 18 Secatoag Avenue
 Port Washington, NY 11050
 Phone: 516.767.6786
 Fax: 516.740.3066
 www.Infinity Drain.com



NOTE: Installer must verify all rough-in dimensions prior to installation and consult local and national codes. Conformity and compliance to local and national codes are the responsibility of the installer.