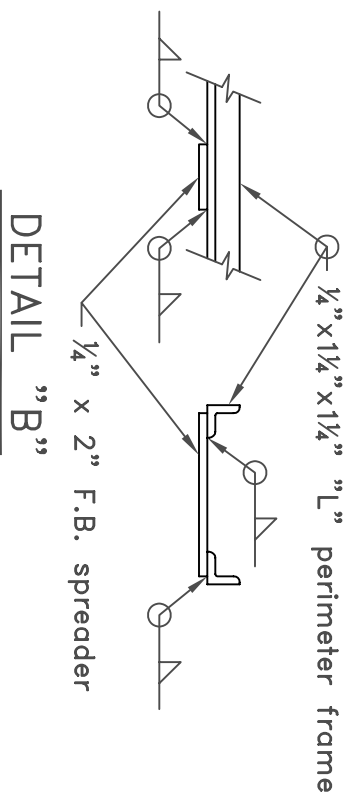
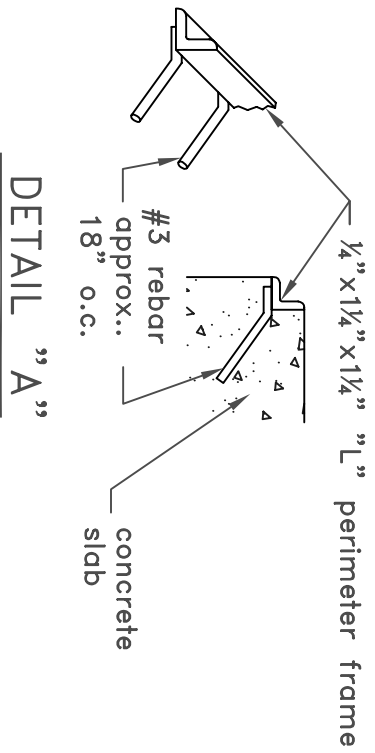
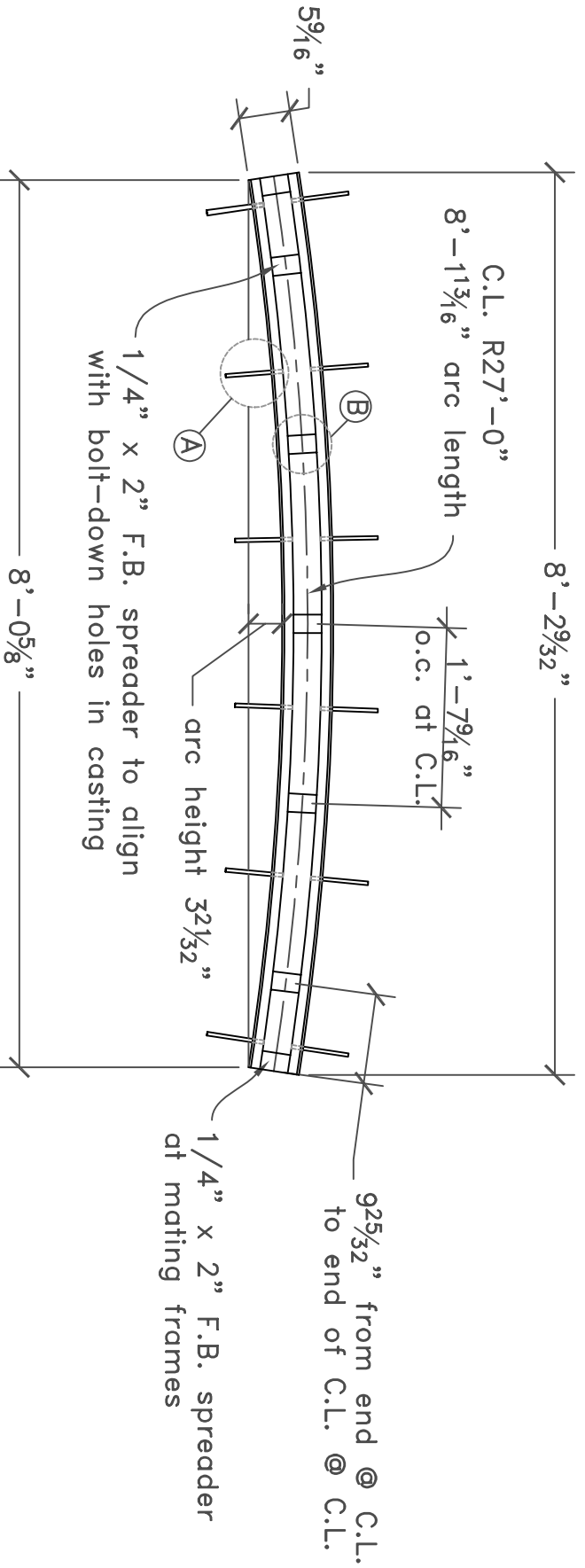


TOP



**NOTES:**

1. Material: mild steel
2. Natural finish
3. Welds are to be uniform & continuous all around fillet and butt welds, ground smooth on grate bearing surfaces
4. Accommodates 5 pieces of trench grates manufactured by: Iron Age™
5. Please clarify:
  - a) over-all length of run @ c.l.
  - b) interface w/ catch basin grates



**IRON AGE  
DESIGNS**

2104 SW 152nd st #4 TEL 206.276.0925  
Burien, WA 98166 FAX 206.257.0318  
www.ironagedesigns.com

Radiused "E" tr. frame type 1

typ mid sect. c.l.r. 27'  
drawing no. C-0707.04

drawn by: DO  
scale: NTS  
date: 6/14/07