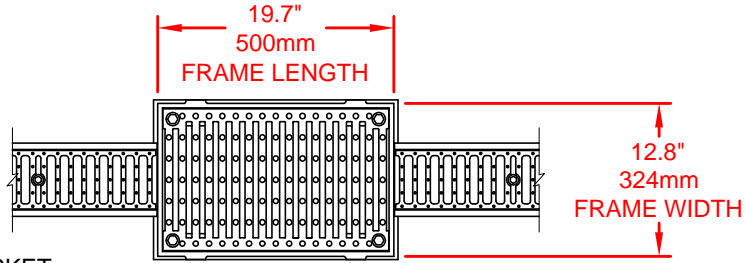
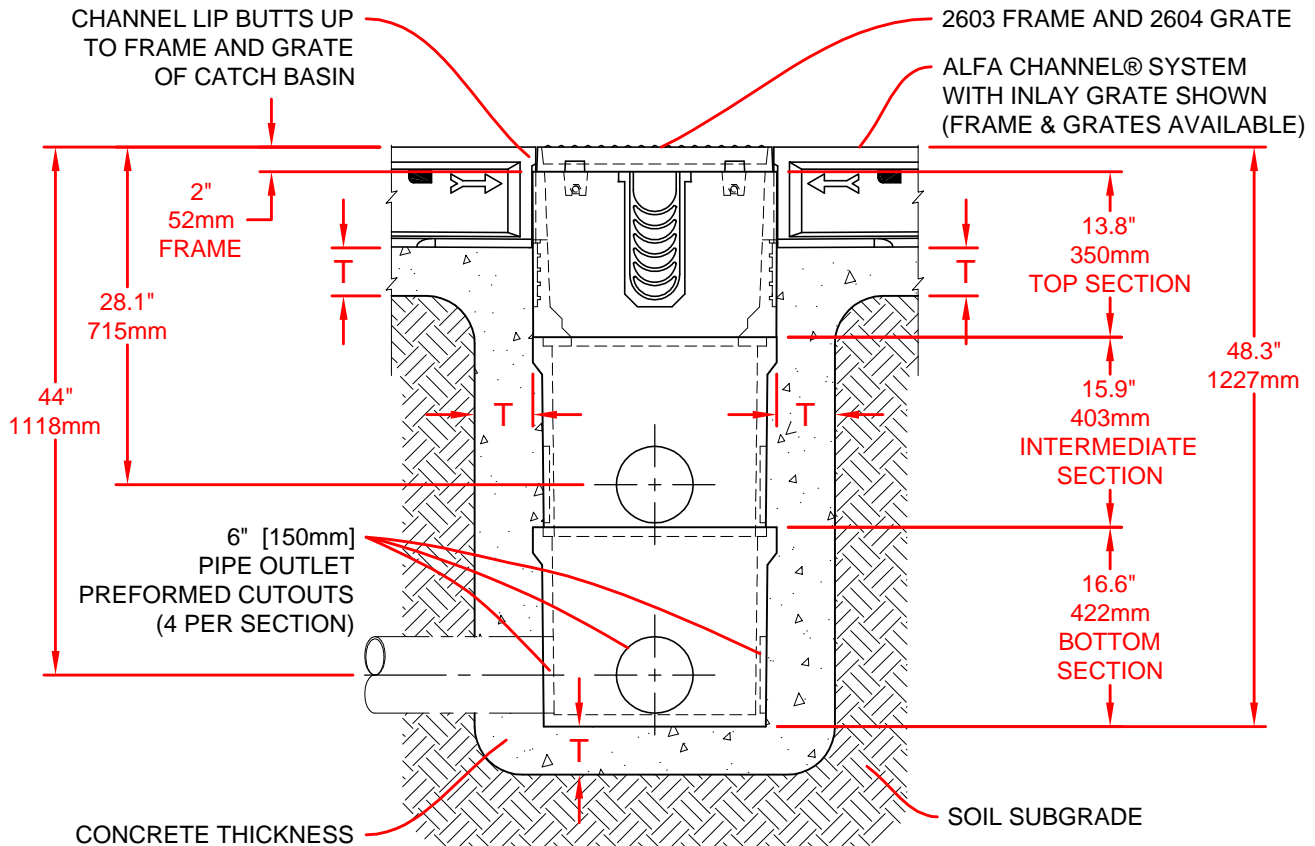


2611 CATCH BASIN

- INCLUDES:
 2600 - TOP SECTION
 2601 - INTERMEDIATE SECTION
 2602 - BOTTOM SECTION
 2603 - DUCTILE IRON FRAME
 2604 - DUCTILE IRON GRATE
 OPTIONAL:
 2607 - GALVANIZED TRASH BUCKET
 2609 - STAINLESS TRASH BUCKET
 2616 - STEEL SOLID COVER



PLAN VIEW



ELEVATION VIEW

T = FLOOR SLAB THICKNESS, OR 4" MIN. [100mm], OR SPECIFICATION (WHICHEVER IS GREATER)

NOTE: YOU ARE NOT LIMITED TO THE OUTLETS SHOWN. OUTLETS AS LARGE AS 12" [300mm] MAY ALSO BE CUT OUT ON ANY OF THE SIDES OF THE 2611 CATCH BASIN.



PRODUCT DRAWING © 2006 MultiDrain Systems, Inc.

ALFA CHANNEL® SYSTEM 2611 LARGE CATCH BASIN

MultiDrain Systems, Inc. Manufacturers of MultiDrain® & EconoDrain® (800) 433-1119 Barium Springs, NC 28010	PART: 2611, 2600, 2601, 2602, 2603, 2604, 2607, 2609, 2616
	FILE: AC-2611-00

Proprietary rights of MultiDrain Systems, Inc. are included in the information disclosed herein. The recipient, by accepting this document, agrees that neither this document nor the information disclosed herein nor any part thereof shall be copied, reproduced or transferred to others for manufacturing or for any other purpose except as specifically authorized in writing by MultiDrain Systems, Inc.