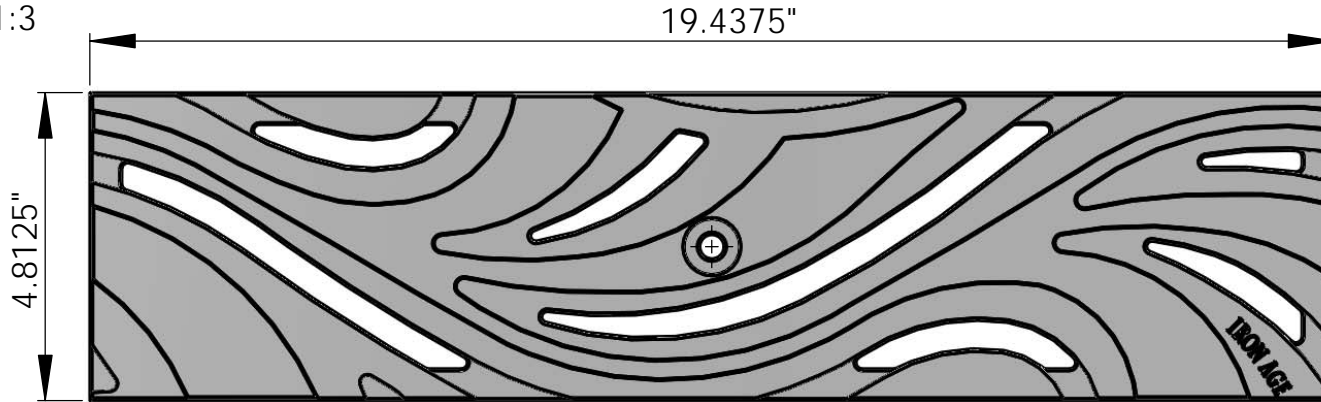


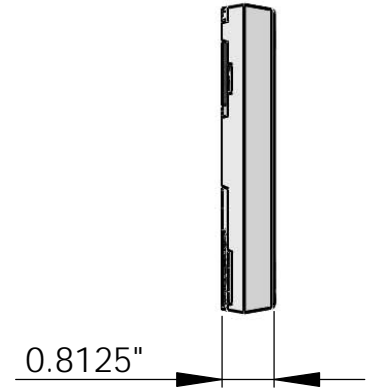


3 castings arrayed  
scale 1:6

TOP  
scale 1:3




END  
scale 1:3



EDGE  
scale 1:3



 **IRON AGE** 2104 SW 152nd st #4 TEL 206.276.0925  
DESIGNS Burien, WA 98166 FAX 206.257.0318  
www.ironagedesigns.com

Minione 5"x20"  
JOB NO. 120621AD-Green Infastructure  
DWG. NO. MIN.A.5x20  
Drawn by: CD  
Date: 8/20/12  
Scale: NTS

NOTES:

1. Material: cast ductile iron
2. Finish options
3. Weight approx. 10 lbs
4. Fits drainbody by ABT Polydrain™
5. Due to casting inconsistencies all dimensions are nominal