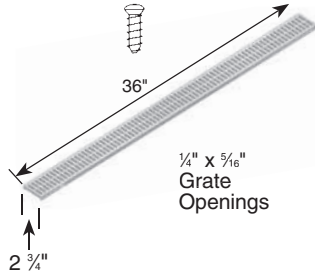


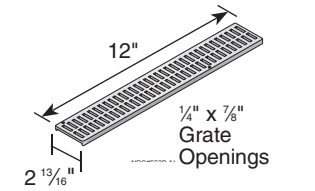
PROFILE CHANNEL DRAINS

Mini Channel™ Drains

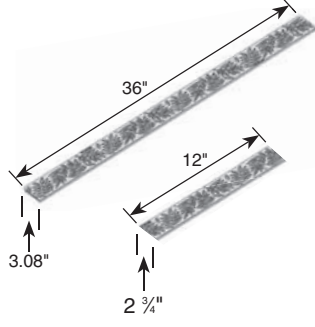
Excellent for light-duty applications including residential pools, concrete and paver patios, spas and tennis courts.



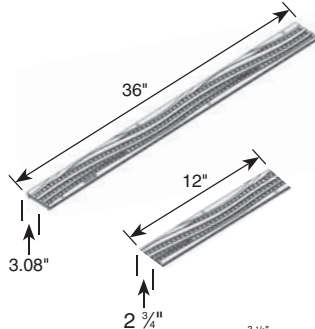
| Part No. | Description | Color | Pkg. Qty. | Wt. Ea. (lbs.) | Product Class | Specifications |
|---|--------------------------------------|-----------|-----------|----------------|---------------|--|
| 529 | Stainless Steel Screws, FH #4 x 5/8" | Steel | 64 | 0.10 | 25PF | 3 ft. Structural Foam Polyolefin Channel Grate with UV inhibitor. Open surface area 9.90 square inches per foot. 30.29 GPM per foot. |
| 540 | 3' Channel Grate | White | 48 ft. | 0.66 | 25PF | |
| 541 | 3' Channel Grate | Gray | 48 ft. | 0.66 | 25PF | |
| 542 | 3' Channel Grate | Green | 48 ft. | 0.66 | 25PF | |
| 543 | 3' Channel Grate | Black | 48 ft. | 0.66 | 25PF | |
| 544 | 3' Channel Grate | Sand | 48 ft. | 0.66 | 25PF | |
| 551 | 3' Channel Grate | Brick Red | 48 ft. | 0.66 | 25PF | |
| Requires 4 screws per Grate. (see page 72). ADA Compliant/Heel-proof. | | | | | | |



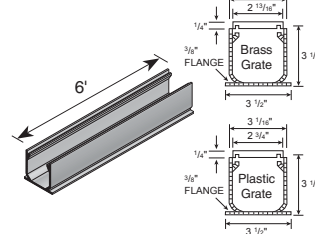
| Part No. | Description | Color | Pkg. Qty. | Wt. Ea. (lbs.) | Product Class | Specifications |
|--|------------------------|----------------|-----------|----------------|---------------|--|
| 552B | 1' Brass Channel Grate | Satin Brass | 12 | 1.25 | 25PF | 1 ft. Mini Channel Solid Brass Grate with brass screws. Open surface area 9.20 square inches per foot. 28.14 GPM per foot. |
| 553PB | 1' Brass Channel Grate | Polished Brass | 12 | 1.25 | 25PF | |
| Fits #500 Mini Channel. (see page 72). ADA Compliant/Heel-proof. | | | | | | |



| Part No. | Description | Color | Pkg. Qty. | Wt. Ea. (lbs.) | Product Class | Specifications |
|---|--------------------------------------|----------|-----------|----------------|---------------|--|
| 529 | Stainless Steel Screws, FH #4 x 5/8" | Steel | 64 | 0.10 | 25PF | 3 ft. Structural Foam Polyolefin botanical pattern Channel Grate with UV inhibitor. Open surface area 5.44 square inches per foot. 16.64 GPM per foot. |
| 554S | 3' Botanical Channel Grate | Sand | 16 | 0.89 | 25PF | |
| 554GR | 3' Botanical Channel Grate | Green | 16 | 0.89 | | |
| 554GY | 3' Botanical Channel Grate | Gray | 16 | 0.89 | | |
| 553 | 3' Botanical Channel Grate | Black | 16 | 0.89 | 25PF | 1 ft. Mini Channel botanical Cast Iron Channel Grate. Open surface area 5.39 square inches per foot. 16.49 GPM per foot. Class B load rated. |
| 554CI | 1' Botanical Cast Iron Channel Grate | Raw Iron | 1 | 1.82 | | |
| Fits #500 Mini Channel. (see page 72). ADA Compliant. | | | | | | |



| Part No. | Description | Color | Pkg. Qty. | Wt. Ea. (lbs.) | Product Class | Specifications |
|---|--------------------------------------|----------|-----------|----------------|---------------|---|
| 529 | Stainless Steel Screws, FH #4 x 5/8" | Steel | 64 | 0.10 | 25PF | 3 ft. Structural Foam Polyolefin wave pattern Channel Grate with UV inhibitor. Open surface area 5.73 square inches per foot. 17.54 GPM per foot. |
| 555S | 3' Wave Channel Grate | Sand | 16 | 0.88 | 25PF | |
| 555GR | 3' Wave Channel Grate | Green | 16 | 0.88 | | |
| 555GY | 3' Wave Channel Grate | Gray | 16 | 0.88 | | |
| 555 | 3' Wave Channel Grate | Black | 16 | 0.88 | 25PF | 1 ft. Mini Channel Wave Cast Iron Channel Grate. Open surface area 4.11 square inches per foot. 12.56 GPM per foot. Class B load rated. |
| 555CI | 1' Wave Cast Iron Channel Grate | Raw Iron | 1 | 1.30 | | |
| Fits #500 Mini Channel. (see page 72). ADA Compliant. | | | | | | |



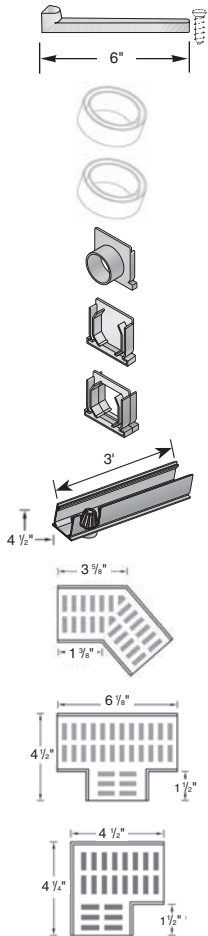
| Part No. | Description | Color | Pkg. Qty. | Wt. Ea. (lbs.) | Product Class | Specifications |
|---|-----------------------|-------|-----------|----------------|---------------|--|
| 500 | 6' Mini Channel Drain | Gray | 48 ft. | 3.26 | 25PF | 6 ft. PVC Mini Channel Drain with inverse flying-buttruss design, bottom flange, patented honeycomb reinforced walls and UV inhibitor. |
| Grate should be recessed 1/8" below finish grade in non-traffic applications. Grate should be recessed 1/4" in traffic applications. | | | | | | |

DRAINAGE

PROFILE CHANNEL DRAINS

Mini Channel™ Accessories

Excellent for light duty applications, including residential pools, concrete and paver patios, spas and tennis courts.



| Part No. | Description | Color | Pkg. Qty. | Wt. Ea. (lbs.) | Product Class |
|----------|--|-----------|-----------|----------------|---------------|
| 529 | Stainless Steel Screws, FH #4 x 5/8" | Steel | 64 | 0.10 | 25PF |
| 230 | 6" Channel Installation Stake | Gray | 24 | 0.04 | 25PF |
| 532 | 2" Sch. 40 Hub to 3" S&D Spigot Adapter | White | 20 | 0.14 | 30PV |
| 533 | 2" Sch. 40 Hub to 4" S&D Spigot Adapter | White | 20 | 0.34 | 30PV |
| 546 | Spigot End Outlet for 2" Sch. 40 Pipe Fitting | Gray | 10 | 0.15 | 25PF |
| 547 | 3" Channel End Cap | Gray | 20 | 0.12 | 25PF |
| 548 | 3" Channel Coupling | Gray | 20 | 0.12 | 25PF |
| 550 | 3' Long Channel with 2" Sch. 40 Spigot Bottom Outlet | Gray | 6 | 2.17 | 25PF |
| 5300 | Fabricated 45° Elbow with Grate | Gray | 1 | 0.40 | 25PF |
| 5303 | Fabricated 45° Elbow with Grate | Sand | 1 | 0.40 | 25PF |
| 5370 | Fabricated Tee with Grate | Gray | 1 | 0.50 | 25PF |
| 5372 | Fabricated Tee with Grate | Black | 1 | 0.50 | 25PF |
| 5374 | Fabricated Tee with Grate | Brick Red | 1 | 0.50 | 25PF |
| 5380 | Fabricated 90° Elbow with Grate | Gray | 1 | 0.40 | 25PF |
| 5383 | Fabricated 90° Elbow with Grate | Sand | 1 | 0.40 | 25PF |

DRAINAGE

Mini Channel™ Paver Installation

NDS Mini Channel and grates are dimensionally compatible with standard 2-3/8" clay and concrete paving systems. Both decorative and standard grate options make Mini Channel an ideal choice for drainage on paver parking courts, patios and plazas.

