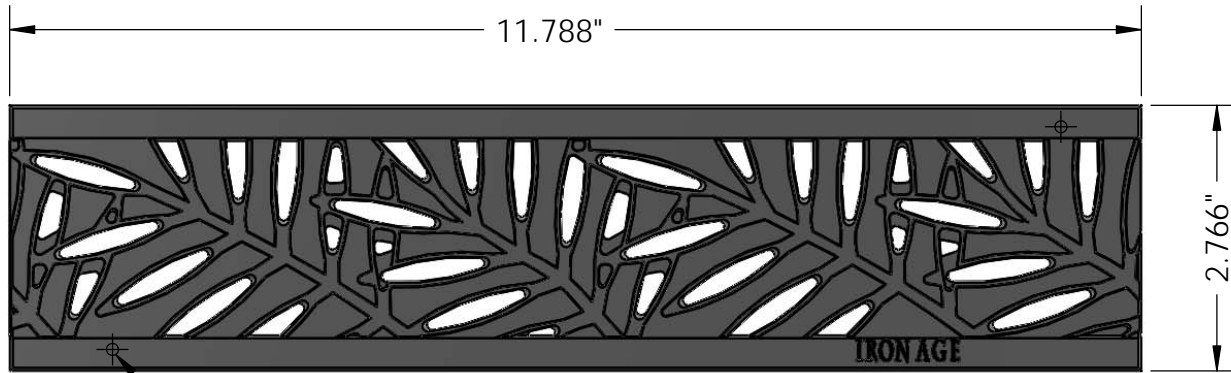
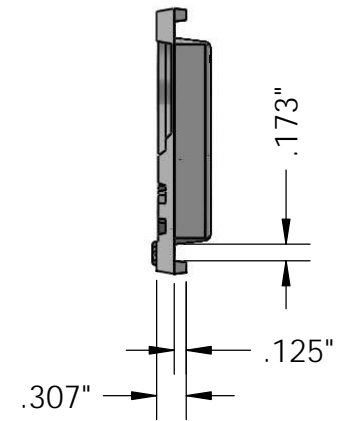


TOP  
scale 1:2



(2X on rear) drill points to locate bold down hole

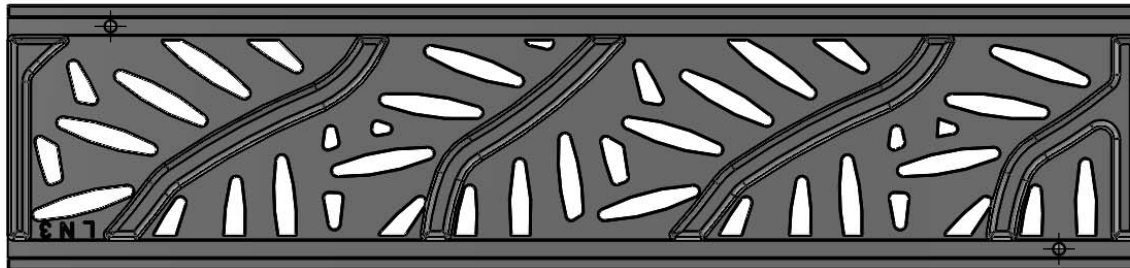
END  
scale 1:2



EDGE  
scale 1:2



BACK  
scale 1:2



NOTES:

1. Material: cast iron
2. Finish: Natural
3. Total Thickness: 3/4"
4. Fits drain body manufactured by:  
NDS mini channel™
5. No openings greater than: 1/2"
6. Due to casting inconsistencies all dimensions are nominal

U.S. patent D 563 528 S © 2011 Iron Age Designs

 **IRON AGE** 2104 SW 152nd st #4 TEL 206.276.0925  
**DESIGNS** Burien, WA 98166 FAX 206.257.0318  
[www.ironagedesigns.com](http://www.ironagedesigns.com)

Locust mini trench drain

JOB NO. XXXX  
 DWG. NO. LOC.N.03x12

Drawn by: CD  
 Date: 06/29/11  
 Scale: NTS