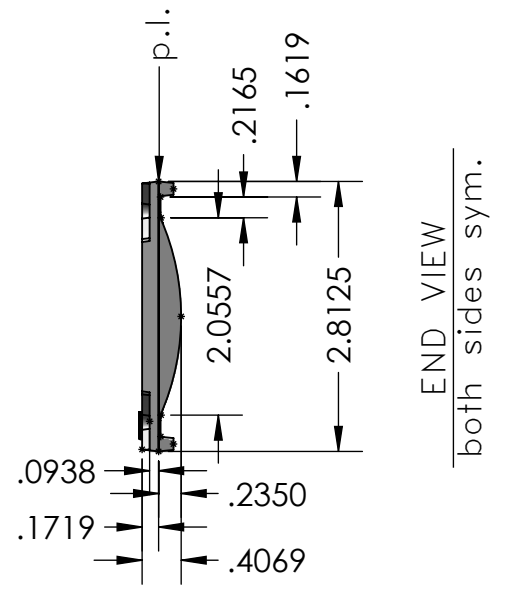
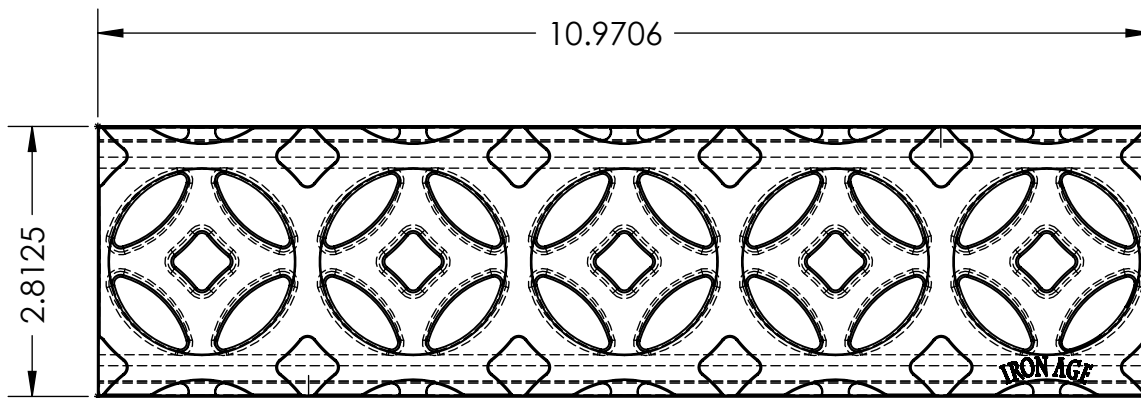


TOP VIEW

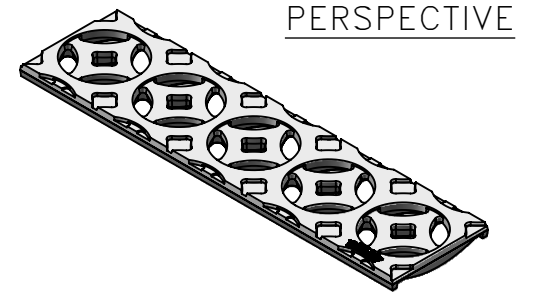
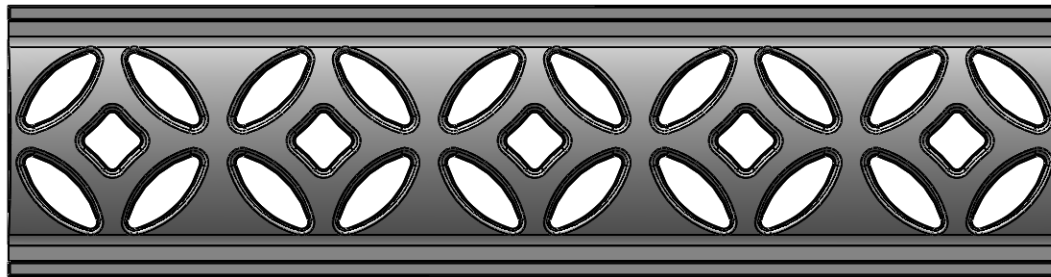
hidden lines shown hatched



END VIEW
both sides sym.



EDGE VIEW



PERSPECTIVE

BOTTOM VIEW

 **IRON AGE** 2104 SW 152nd st #4 TEL 206.276.0925
DESIGNS Burién, WA 98166 FAX 206.257.0318
www.ironagedrains.com

Interlaken 3" trench drain

Drawn by: JH

Date: 02/01/13

DWG. NO.02-INT.N.03x12

Scale: NTS

NOTES:

1. Material: cast iron
2. Finish: Natural
3. Total Thickness: see end view
4. Replaces drain manufactured by: NDS; mini channel™
5. No openings great than: 1/4"
6. Dims are at parting line
7. Due to casting inconsistencies all dimensions are nominal

patent pending © 2007 Iron Age Designs