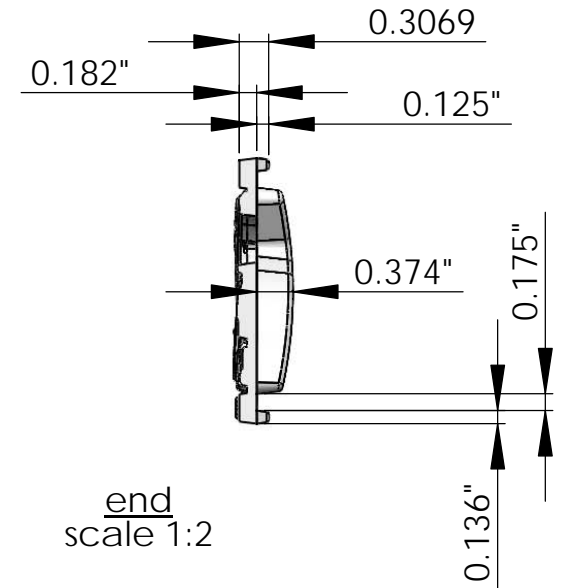
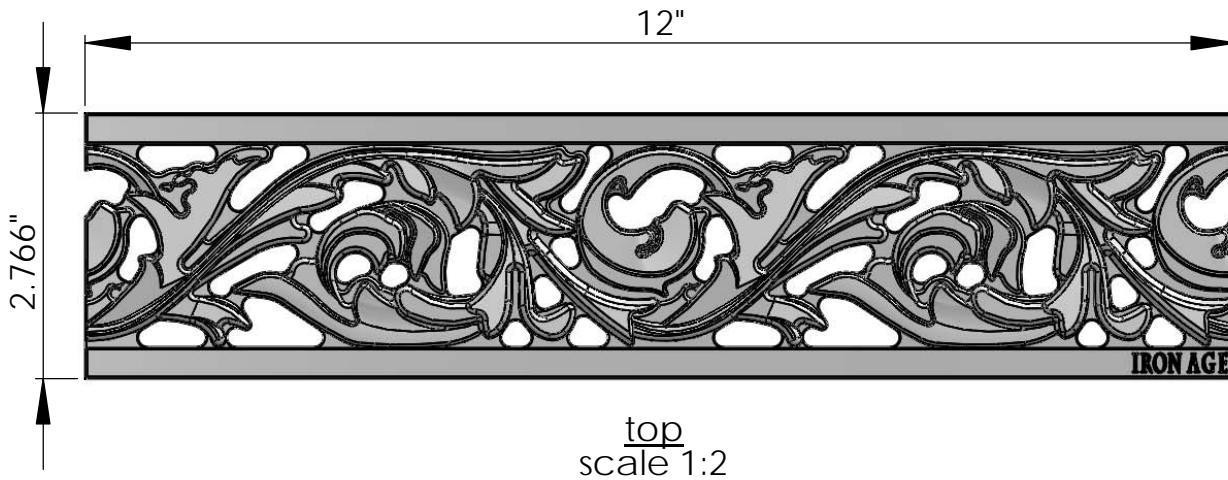
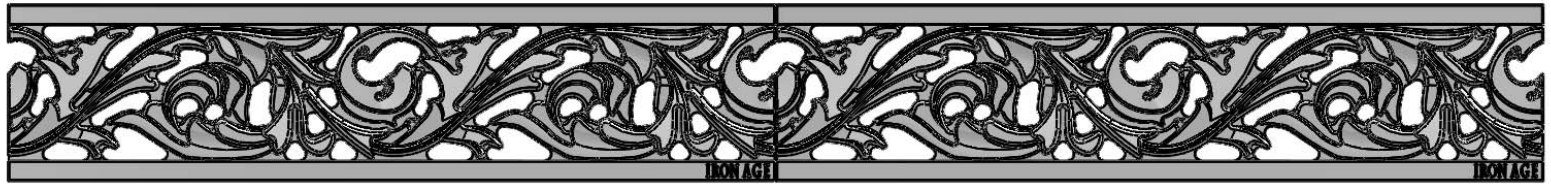
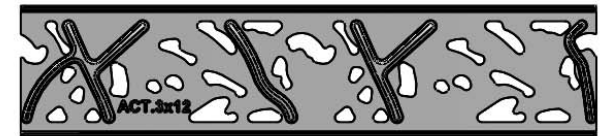


2 grates arrayed
scale 1:3



edge
scale 1:2



rear
scale 1:4

IRON AGE 2104 SW 152nd st #4 TEL 206.276.0925
DESIGNS Burién, WA 98166 FAX 206.257.0318
www.ironagedesigns.com

3" Acanthus Trench Grate

JOB NO. 110527PP2-Crescent Village Apts. Drawn by: CD
Date: 8/1/12
DWG. NO. ACT.N.3x12 Scale: NTS

NOTES:

1. Material: cast ductile iron
2. Finish options
3. Fits NDS minichannel™
4. Due to casting inconsistencies all dimensions are nominal