

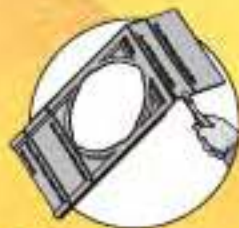
## 1200NGBDISPLAY



## INSTALLATION INSTRUCTIONS



**1** Choose height of inlet/outlet (high, middle, or low).



**2** Break off tabs on slide according to desired inlet/outlet position.



**3** Place slide into outside of NGB from bottom. Slide up until it snaps into place.



**4** Attach the Universal Outlet and connect pipe.

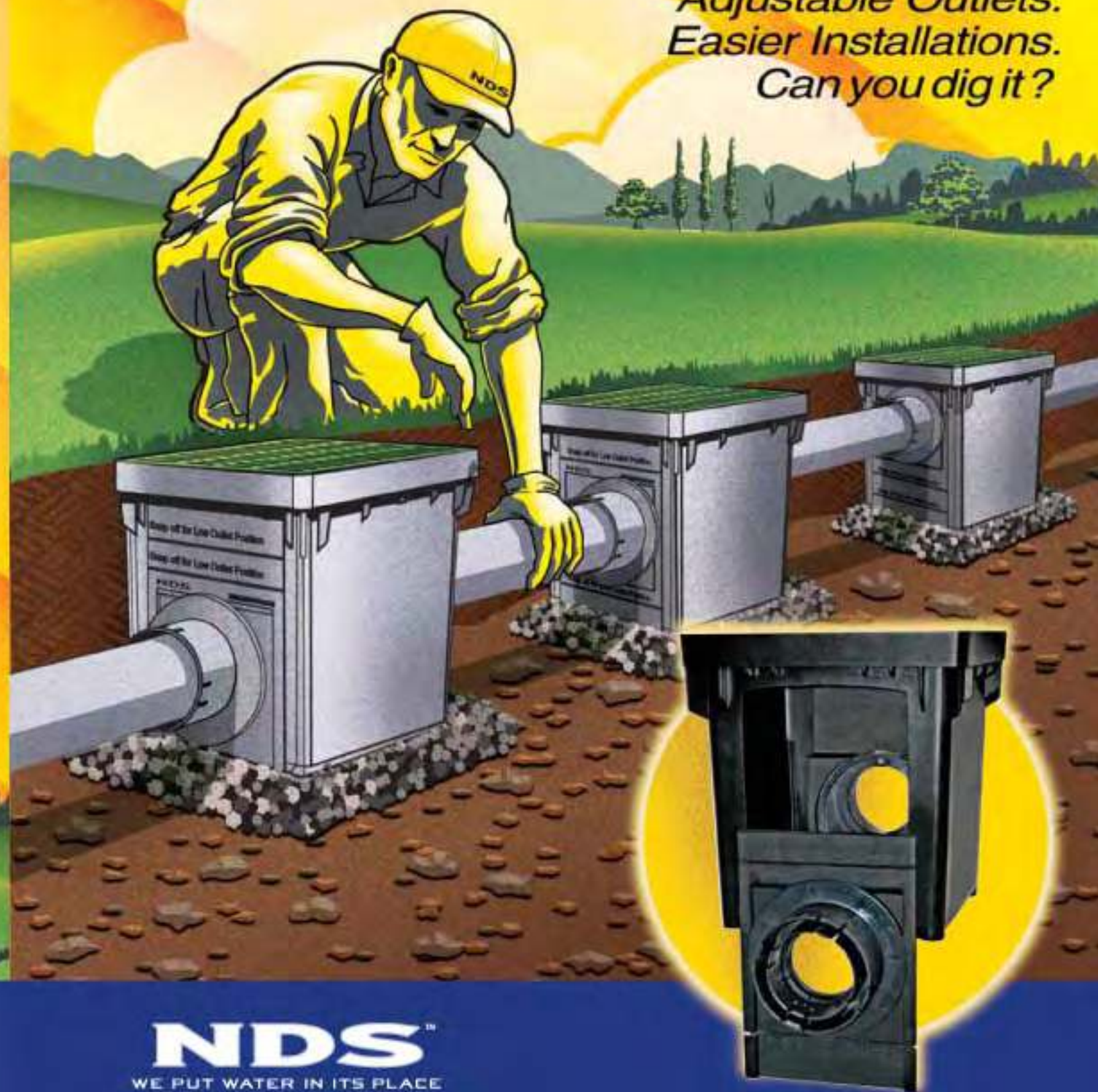
Part No.	Description	Color	Pkg. Qty.	Wt. Ea. (lbs.)	List Price (Ea.)	Product Class
1200NGBDISPLAY 	Distributor display with 8 1200NGBKITs; Total 8 Next Generation Catch Basins and 16 Open Slides	Black	8	47.20	\$355.12	10ND
1200NGBKIT 	12" Next Generation Catch Basin with 2 Open Slides	Black	4	4.65	\$44.39	10ND
1200NGB 	12" Next Generation Catch Basin	Black	4	3.45	\$37.73	10ND
1207 	Open Slide for 1200NGB	Black	8	.60	\$3.33	10ND
1208 	Plug Slide for 1200NGB	Black	8	.76	\$3.33	10ND

W-F DRAIN 06-001

# 1200NGB™

Next Generation Catch Basin

Adjustable Outlets.  
Easier Installations.  
Can you dig it?



851 N. Harvard Avenue, Lindsay, CA 93247  
Phone: 800.726.1994 Fax: 800.726.1998  
International Phone: 559.562.9688  
International Fax: 559.562.4488  
e-mail: NDS@NDSPRO.com

[www.NDSPRO.com](http://www.NDSPRO.com)

FOR TECHNICAL INFORMATION, CONTACT:  
Technical Services  
888.825.4716  
TechService@NDSPRO.net

**NDS™**  
WE PUT WATER IN ITS PLACE

**NDS™**  
WE PUT WATER IN ITS PLACE



# 1200NGB™

## Next Generation Catch Basin

### FASTER & EASIER TO INSTALL!

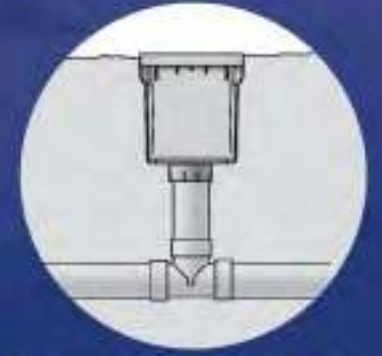
NDS researched what contractors wanted... and then we built it.

The 1200NGB™ Next Generation Catch Basin's adjustable inlet/outlets save contractors time and money.

This is the catch basin contractors asked for.

Can you dig it?

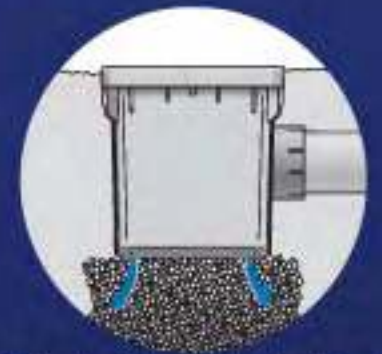
### BOTTOM OPTIONS



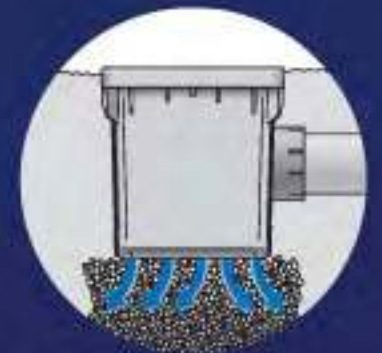
- 1 Pipe out of the bottom of the NGB. Easier to adjust to grade when drain pipe is below the basin.



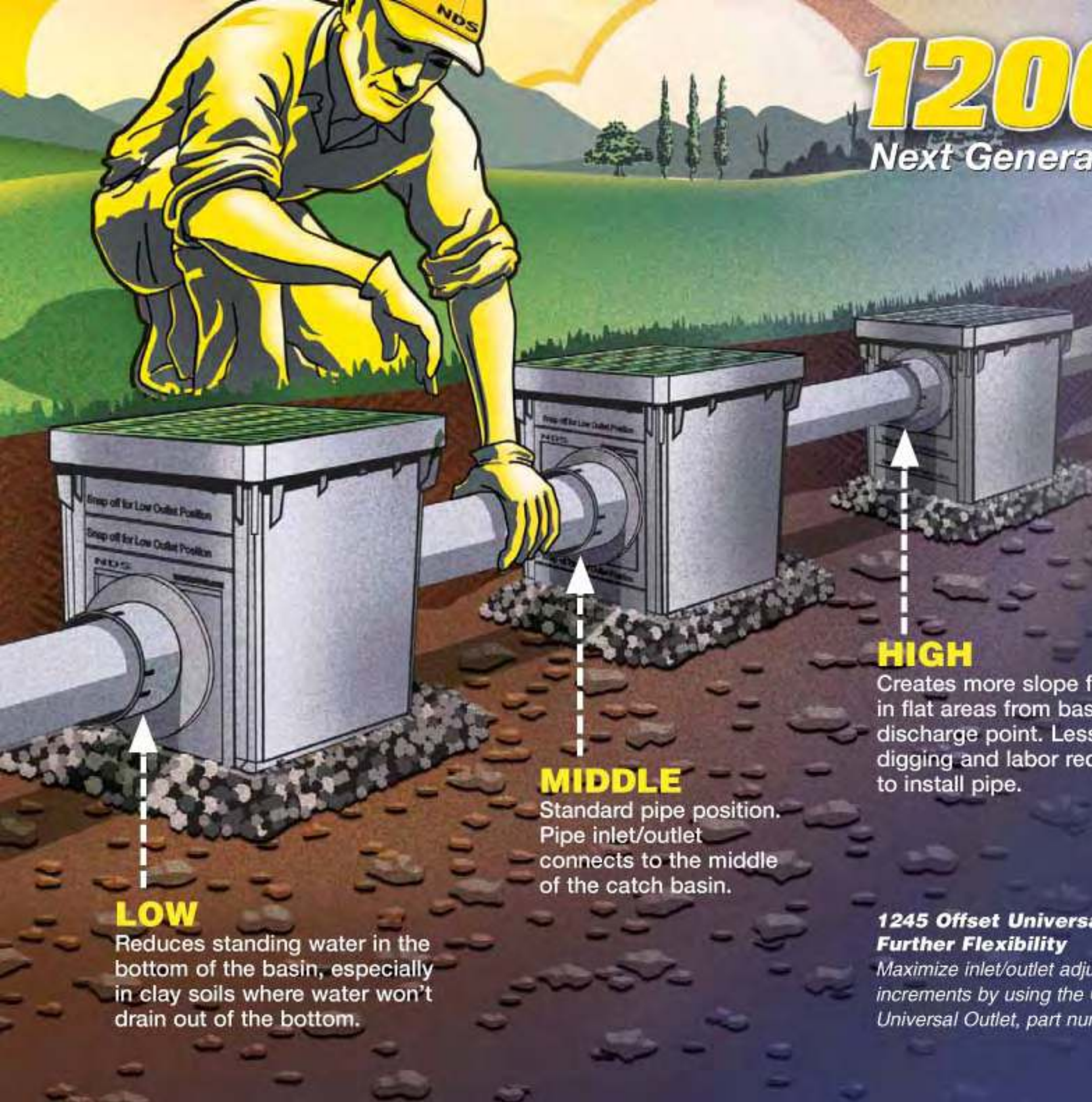
- 2 Use perforated pipe out of the bottom. Recharges the ground water and creates a leaching system.



- 3 Knock out drain holes to eliminate standing water in the catch basin.



- 4 Cut out to remove the entire bottom of the basin to reduce storm water runoff and keep water on site.



### LOW

Reduces standing water in the bottom of the basin, especially in clay soils where water won't drain out of the bottom.

### MIDDLE

Standard pipe position. Pipe inlet/outlet connects to the middle of the catch basin.

### HIGH

Creates more slope for pipe in flat areas from basin to discharge point. Less digging and labor required to install pipe.

### 1245 Offset Universal Outlet: Further Flexibility

Maximize inlet/outlet adjustability in  $\frac{3}{4}$ " increments by using the Offset Universal Outlet, part number 1245.

