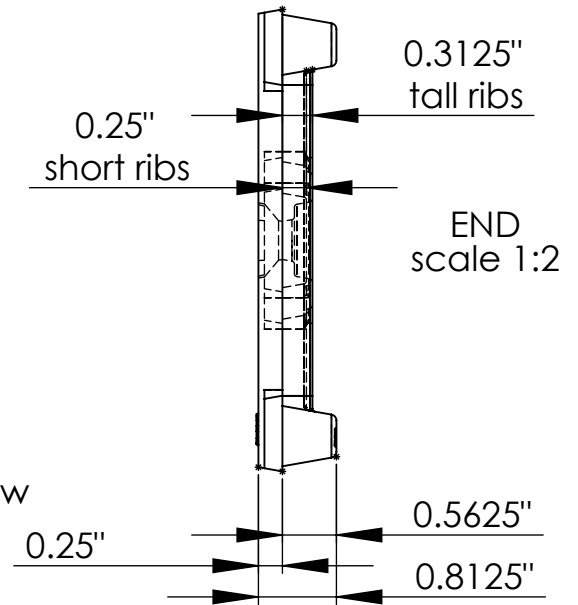


TOP
scale 1:3

~0.25" solid

Countersunk hole for 3/8" dia. F.H. screw

0.21" open



0.25"

0.3125"
tall ribs

END
scale 1:2

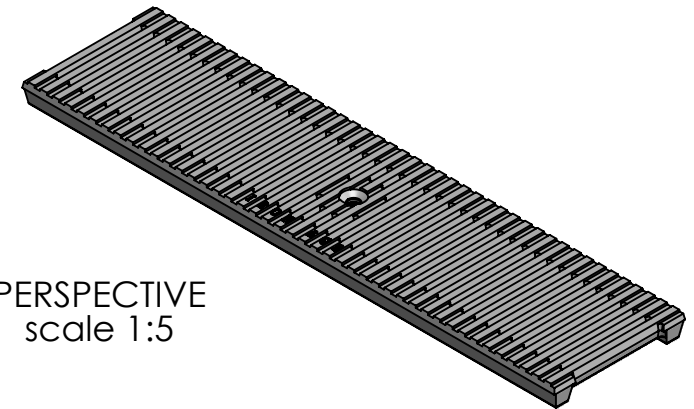
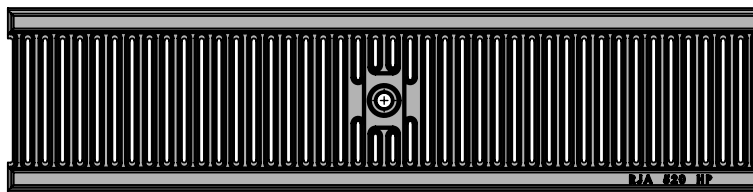
0.5625"

0.8125"



EDGE
scale 1:3

BACK
scale 1:5



PERSPECTIVE
scale 1:5

NOTES:

1. Material: cast ductile iron
2. Finish: Natural
3. Total Thickness: 0.8125"
4. Fits drain channel manufactured by:
ACO™ "K100S"; MEA™ 1000 Series
5. No openings greater than: 0.21" @ face
6. Due to casting inconsistencies all dimensions are nominal

 **IRON AGE** DESIGNS
 2104 SW 152nd st #4 TEL 206.276.0925
 Burien, WA 98166 FAX 206.257.0318
 www.ironagedrains.com

Regular Joe 5"x20" heelproof drain

JOB NO.
 DWG. NO. 03-PJOE.A.5x20_MEA

Drawn by: JH
 DATE: 02/04/13
 Scale: NTS

© 2012 Iron Age Designs