



PROJECT ID/ CONTRACT NO: \_\_\_\_\_

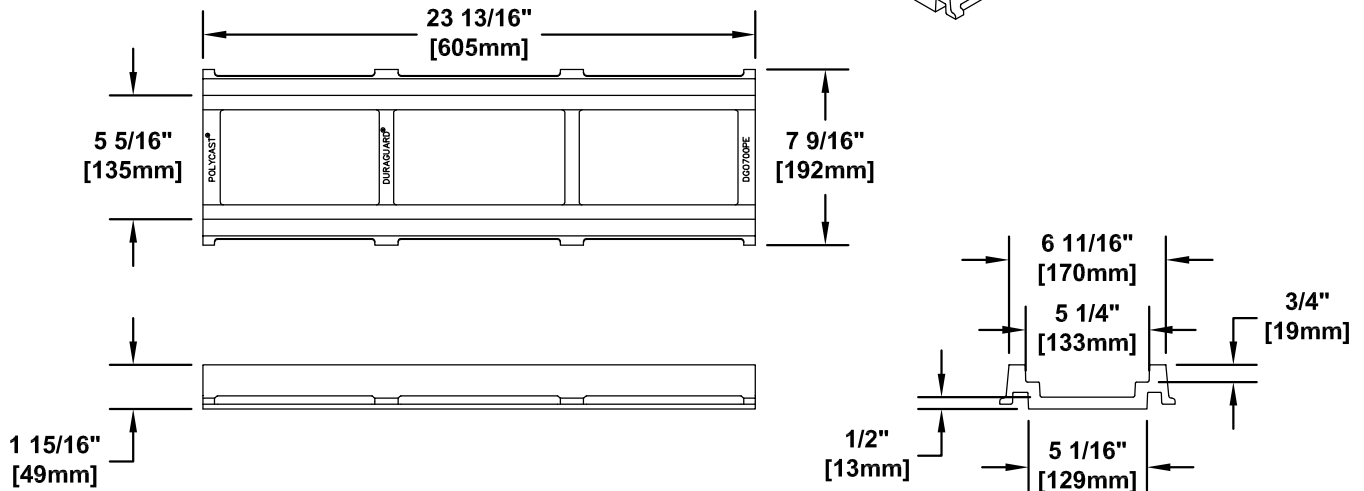
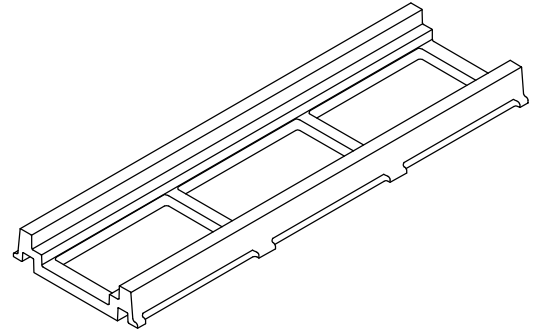
**DG0700PE**

DURAGUARD® Composite Frame

LOCATION: \_\_\_\_\_

**ENGINEERING SPECIFICATION:**

POLYCAST® DURAGUARD® Channel Frame is extremely chemical resistant and greatly improves the impact and wear resistance of the standard 600 Series channels. The system is suitable for lightly loaded forklifts and highway vehicles at low to moderate speeds (i.e. parking areas, driveways and warehouses). This frame is non-rigid and works best with ductile iron grates. The frame is made of HDPE and weighs approximately 3lbs [1.36kg].



Grate Options (Select One)			
<input checked="" type="checkbox"/>	<b>Grate Type</b>	<b>Part No.</b>	<b>DIN Load Class</b>
<input type="checkbox"/>	Ductile Iron Slotted	DG0641D	Class E
<input type="checkbox"/>	Ductile Iron Longitudinal Slotted (ADA Compliant)	DG0675HD	Class E
<input type="checkbox"/>	Cast Iron Solid (ADA Compliant)	DG0641S	Class E
<input checked="" type="checkbox"/>	<b>Options (Select All That Apply)</b>	<b>Part No.</b>	<b>Additional Specifications:</b>
<input type="checkbox"/>	Locking Device For Cast & Ductile Iron Frames & Grates	DA0642BH	
<input type="checkbox"/>	Stainless Steel Locking Device	DA0642BHS	

Meets the following Standards & Specifications:

- DIN 19580 / DIN EN 1433 Drainage Channels for Vehicular and Pedestrian Areas
- Federal Aviation Administration (FAA) Advisory Circular AC 150/5320-6E Appendix 3. Design of Structures for Heavy Airplanes
- AASHTO H-20 and H-25 per AASHTO M-306 Drainage, Sewer, Utility and Related Castings



www.polycastdrain.com  
Toll Free Number:  
1-800-346-3062