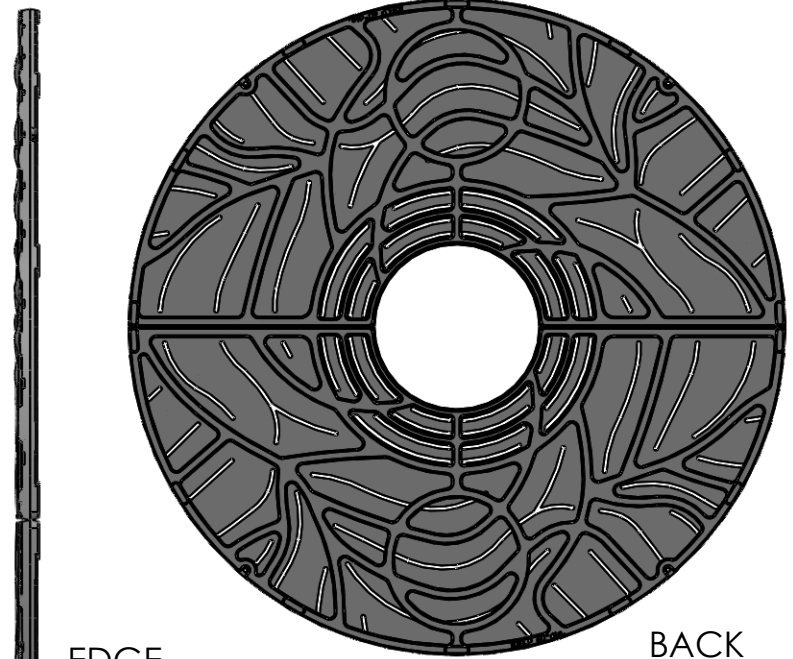


47.888" dia.

TOP

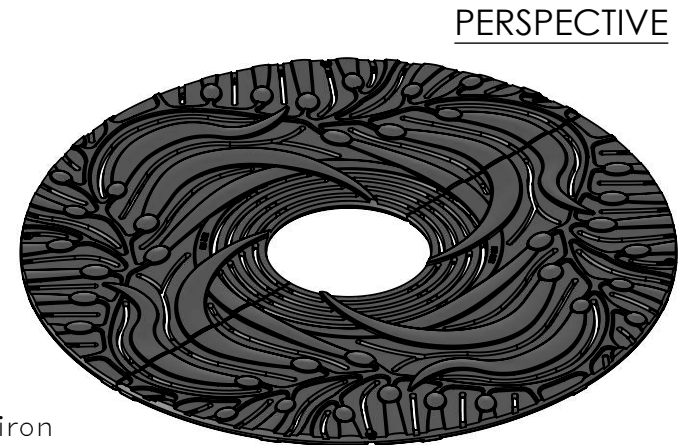
Ø 12.00"

12"-20" Cast rings for break-out




EDGE

BACK



PERSPECTIVE

 **IRON AGE** 2104 SW 152nd st #4 TEL 206.276.0925
 DESIGNS Burién, WA 98166 FAX 206.257.0318
 www.ironagedesigns.com

Kelp 48" dia.

JOB NO.

DWG. NO. 001-Kelp.l.48dia

Drawn by: JH

Date: 2/07/13

Scale: NTS

NOTES:

1. Material: cast iron
2. Natural finish
3. Edge thickness: 1"
4. Fits custom frame manufactured by Iron Age
5. No Openings greater than 1/2"
6. Weight approx. <200lbs
7. Due to casting inconsistencies all dimensions are nominal