



**TDS**<sup>TM</sup>  
TRENCH DRAIN SYSTEMS



## ***SS Series***

# **Sanitary & Food Safe Stainless Steel Trench Drain Systems**

### **Applications:**

Brewery/Winery  
Salt Water Pools

Distillery/Cidery  
Pharmaceuticals

Dairies/Food Processing  
Water Treatment

# Table of Contents

SS500 Stainless Steel System System information/Applications/ Visual.....	Page 3
SS600 Stainless Steel System System Information/Applications/Visual.....	Page 4
SS1200 Stainless Steel System System Information/Applications/Visual.....	Page 5
Stainless Steel System SS600 Slope/Visuals .....	Page 6
Channel Details Slope/Tee/90° Elbow/Half Channel.....	Page 7
Catch Basins .....	Page 8
Catch Basins Continued.....	Page 9
Covers/Accessories.....	Page 10
Variety of Grates.....	Page 11

The SS500 Series<sup>™</sup> is exclusively available through Trench Drain Systems. This shallow stainless steel drainage system is specifically designed for small commercial markets. The 6.25" (OD) 16 gauge stainless steel channels feature a built-in 0.5% slope. Stainless U-shaped channels come in 48" and 96" lengths with neutral channels to allow for longer runs. Custom sections are available.

- Up to 56' of continuous slope at .5%
- 4' & 8' channel sections
- Neutral and half channels
- Transition channel (from SS500 - SS600)
- Tee sections and 90° elbows
- 20+ grating options
- Lightweight for rapid installation
- 304 Stainless steel
- 316 Stainless available (special order)
- Utilizes standard grating
- Single concrete pour placement
- Neoprene Gaskets
- Hardware included



## SS500 Series Depth Chart

Channel #	Inlet Depth	Outlet Depth
500N*	2.0	2.0
500NB*	2.0	2.0
501	2.0	2.5
501B*	2.0	2.5
501H*	2.5	2.5
501HB*	2.5	2.5
501N*	2.5	2.5
501NB*	2.5	2.5
502	2.5	3.0
502B*	2.5	3.0
502H*	3.0	3.0
502HB*	3.0	3.0
502N*	3.0	3.0
502NB*	3.0	3.5
503	3.0	3.5
503B*	3.0	3.5
503H*	3.5	3.5
503BH*	3.5	3.5
503N*	3.5	3.5
503NB*	3.5	3.5
504	3.5	4.0
504B*	3.5	4.0
504H*	4.0	4.0
504BH*	4.0	4.0
504N*	4.0	4.0
504NB*	4.0	4.0
505	4.0	4.5
505B*	4.0	4.5
505H*	4.5	4.5
505BH*	4.5	4.5
505N*	4.5	4.5
505NB*	4.5	4.5
506	4.5	5.0
506B*	4.5	5.0
506H*	5.0	5.0
506BH*	5.0	5.0
506N*	5.0	5.0
506NB*	5.0	5.0

\*N = Non-sloped  
 \*H = Half (Non-sloped 48")  
 \*B = Bottom Outlet

The TDS SS600 Series™ stainless steel trench drain is designed for small commercial markets. The 6.25" (OD) 16 gauge stainless steel channels feature a built-in 1.0% slope that allows the system to channel up to 470 GPM. Stainless channels come standard in 48" lengths with neutral and 24" half channels to allow for longer drainage runs.

- Up to 470 GPM flow rate
- Up to 100' of continuous slope at 1%
- 2' & 4' channel sections
- Neutral and half channels
- Tee sections and 90° elbows
- 19 grating options
- Lightweight for rapid installation
- 304 Stainless steel
- 316 Stainless available (special order)
- Utilizes standard grating
- Single concrete pour placement
- Neoprene gaskets
- Hardware included



## SS600 Series Depth Chart

Channel #	Inlet Depth	Outlet Depth
600N*	3.5	3.5
600NB*	3.5	3.5
601	3.5	4.0
602	4.0	4.5
603	4.5	5.0
604	5.0	5.5
605	5.5	6.0
605B*	5.5	6.0
605H*	6.0	6.0
605HB*	6.0	6.0
605N*	6.0	6.0
605NB*	6.0	6.0
606	6.0	6.5
607	6.5	7.0
608	7.0	7.5
609	7.5	8.0
610	8.0	8.5
610B*	8.0	8.5
611	8.5	9.0
612	9.0	9.5
613	9.5	10.0
614	10.0	10.5
615	10.5	11.0
615B*	10.5	11.0
615H*	11.0	11.0
615HB*	11.0	11.0
615N*	11.0	11.0
615NB*	11.0	11.0
616	11.0	11.5
617	11.5	12.0
618	12.0	12.5
619	12.5	13.0
620	13.0	13.5
620B*	13.0	13.5
621	13.5	14.0
622	14.0	14.5
623	14.5	15.0
624	15.0	15.5
625	15.5	16.0
625B*	15.5	16.0
625H*	16.0	16.0
625HB*	16.0	16.0
625N*	16.0	16.0
625NB*	16.0	16.0

\*N = Non-sloped

\*H = Half (Non-sloped 24")

\*B = Bottom Outlet

The TDS SS1200 system comes in 24" or 48" long channels, its 14.66" wide and has a 12.5" throat. The modular channel sections are made of 16-gauge stainless steel (type 304). Channels are connected using a bolted flange that prevents channel sections from separating during install. Channels have feet to secure the trench for a patty pour to hold channels in place for final install. These are available as a neutral system or in a 1% pre-slope.

- Load class A-E grates
- 4", 6", 8" end/bottom outlets
- Neutral or continuous slope at 1%
- 2' & 4' channel sections
- Neutral and half channels
- Tee sections and 90° elbows
- Lightweight for rapid installation
- 304 Stainless steel
- 316 Stainless available (special order)
- Neoprene gaskets
- Hardware included



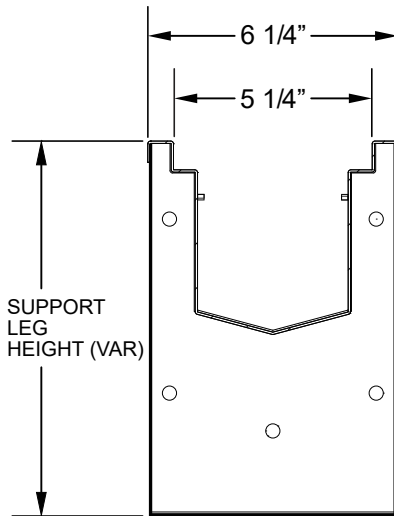
## SS1200 Series Depth Chart

Channel #	Inlet Depth	Outlet Depth
1200N*	3.5	3.5
1201	3.5	4.0
1202	4.0	4.5
1203	4.5	5.0
1204	5.0	5.5
1205	5.5	6.0
1205B*	5.5	6.0
1205H*	6.0	6.0
1205HB*	6.0	6.0
1025N*	6.0	6.0
1206	6.0	6.5
1207	6.5	7.0
1208	7.0	7.5
1209	7.5	8.0
1210	8.0	8.5
1210B*	8.0	8.5
1210H*	8.5	8.5
1210HB*	8.5	8.5
1210N*	8.5	8.5
1211	8.5	9.0
1212	9.0	9.5
1213	9.5	10.0
1214	10.0	10.5
1215	10.5	11.0
1215B*	10.5	11.0
1215H*	11.0	11.0
1215HB*	11.0	11.0
1215N*	11.0	11.0
1216	11.0	11.0
1217	11.5	11.5
1218	12.0	12.0
1219	12.5	12.5
1220	13.0	13.0
1220B*	13.0	13.5
1221	13.5	13.5
1222	14.0	14.0
1223	14.5	14.5
1224	15.0	15.0
1225	15.5	15.5
1225B*	15.5	16.0
1225HB*	16.0	16.0
1225N*	16.0	16.0
1225NB*	16.0	16.0

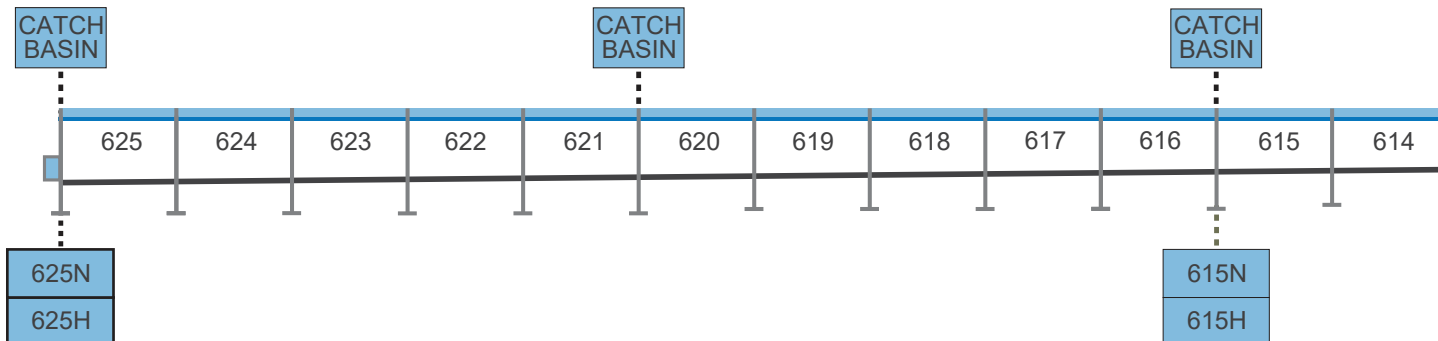
\*N = Non-sloped  
 \*H = Half (Non-sloped 24")  
 \*B = Bottom Outlet

# Stainless Steel Drainage System

SS500, SS600 (visuals shown), SS1200 Series™ offers bottom outlets and end outlets every fifth channel. To reach your run length, choose a channel with an outlet, then add channels upstream to the run length you need.



Channels	Bottom Outlet	End Outlet
601 - 605, 605N, 605H	4" (605H)	2", 3"
606 - 610		3", 4"
611 - 615, 615N, 615H	4" (615H)	3", 4"
616 - 620		4", 6"
621 - 625, 625N, 625H	4" (625H)	4", 6"



# Channel Details



Half Channel



90° Elbow

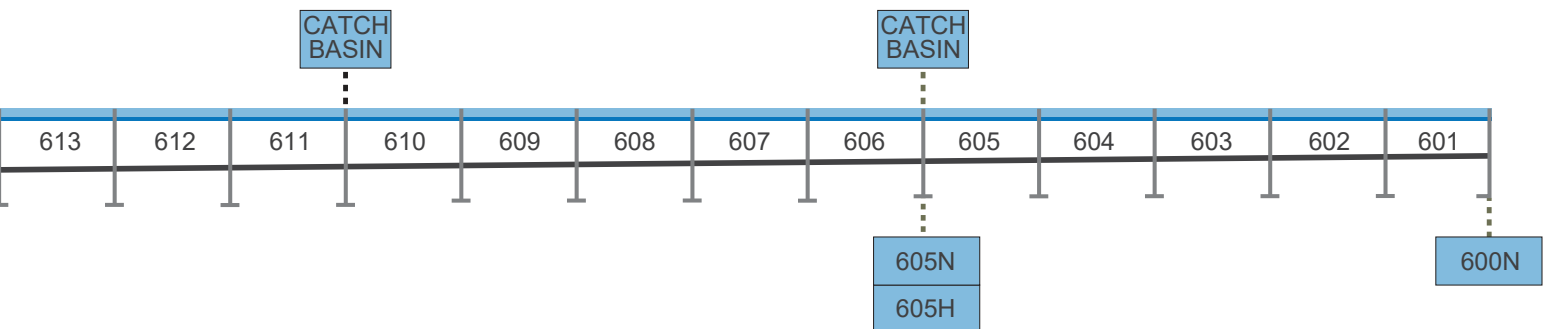
The SS Series™ offers tees, 90° elbows, neutral channels and 24" half channels to aide in the design of your drainage system. Custom sections are available.



Tee

## Special Project?

Trench Drain Systems can help to design custom drainage solutions. Our in-house engineering staff can provide expert consultation, guidance and layout drawings.

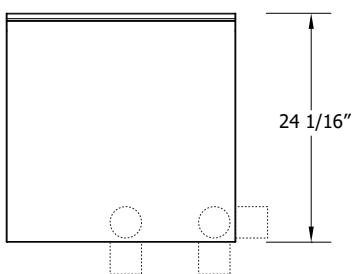
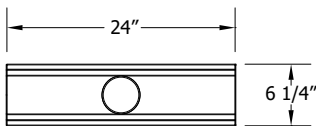
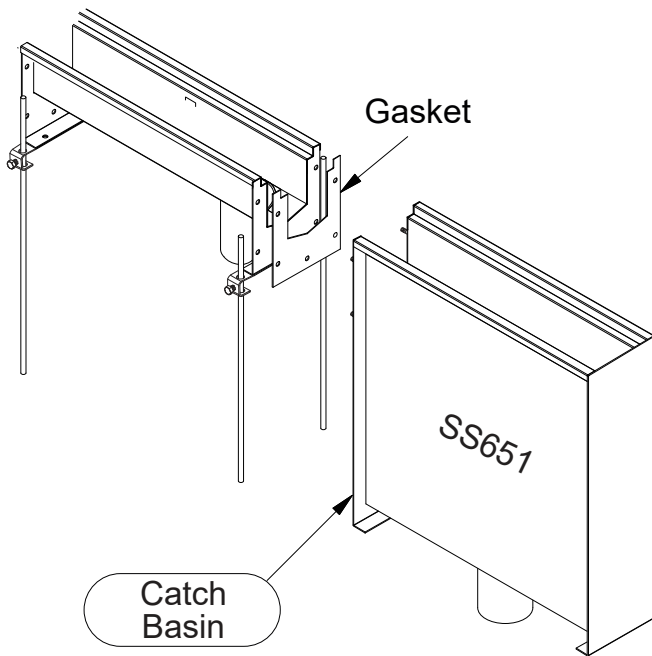


# Catch Basins

## Catch Basin 6.25" x 24"

Trench Drain Systems offers SS500, SS600 and SS1200 Series™ stainless steel in-line catch basins to help catch sediment and debris. Catch basins can be placed with the channel run at the same locations as the end outlet. Catch basins can also be placed in the center of a channel run with both channel runs sloping toward the catch basin.

SS500/SS600 Catch Basins		SS1200 Catch Basins	
Part No.	Dimensions	Part No.	Dimensions
SS650	6.25" x 24" x 24"	SS1251	14" x 24" x 24"
SS651	12" x 24" x 24"	SS1253	24" x 24" x 24"
SS653	24" x 24" x 24"		

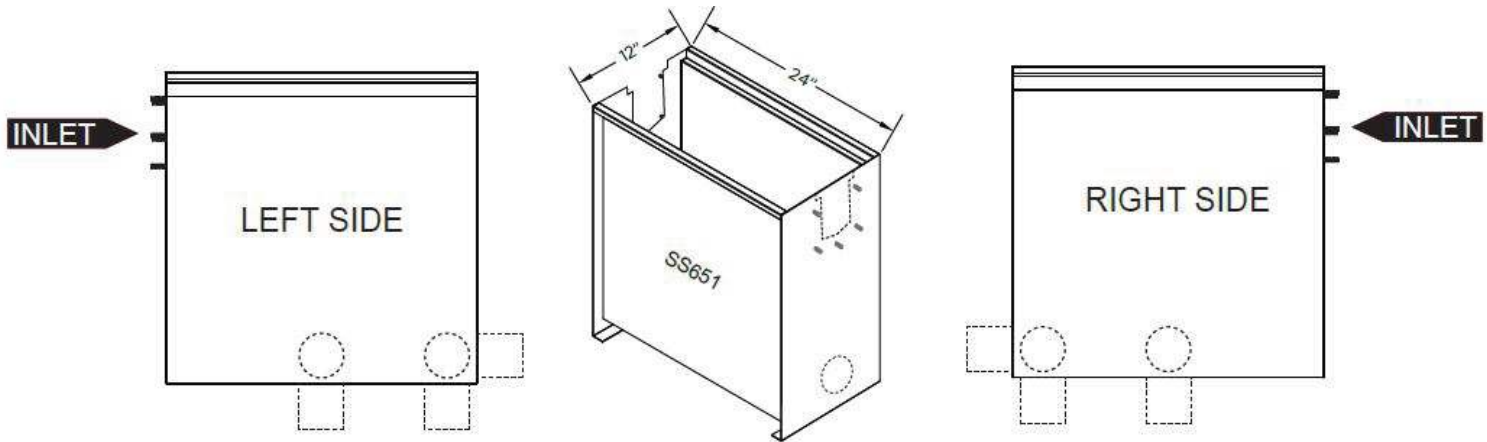


**SS650**

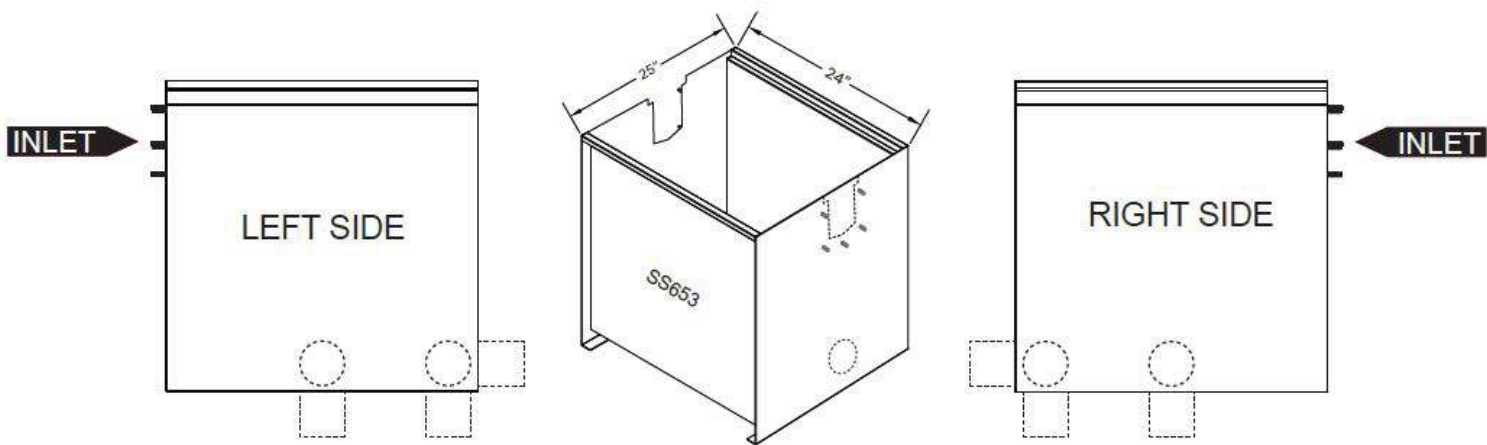
The SS650 catch basin comes in a standard 6.25" x 24". Outlet options pertaining to size and position are configured upon ordering.

This catch basin uses the same grating options as the channel. Stainless steel debris baskets are also available.

## Catch Basin 12" x 24" SS651



## Catch Basin 24" x 24" SS653



## Catch Basin Grates

Choose from cast iron, stainless bar or several fiberglass options.

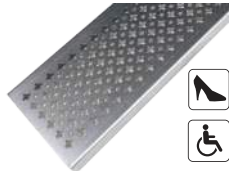


# Variety of Grates

## SS500 & SS600 Compatible Grates

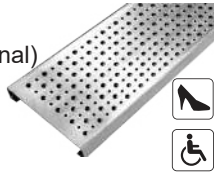
### Stainless Steel Cathedral DG0630

Length: 48" (Nominal)  
Open Area: 29%  
Load Class: A



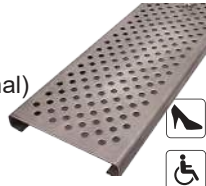
### Stainless Steel Foam DG0632

Length: 48" (Nominal)  
Open Area: 30%  
Load Class: A



### Stainless Steel Perforated DG0657

Length: 48" (Nominal)  
Open Area: 17%  
Load Class: A



### Stainless Steel Square Deco DG0633

Length: 48" (Nominal)  
Open Area: 19%  
Load Class: A



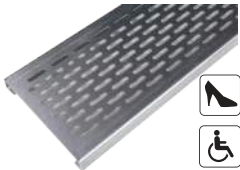
### Polyethylene Transverse Slot DG0675

Length: 24" (Nominal)  
Open Area: 23%  
Load Class: A



### Stainless Steel Transverse Slot DG0631

Length: 48" (Nominal)  
Open Area: 30%  
Load Class: A



### Stainless Steel Slot DG0647

Length: 48" (Nominal)  
Open Area: 17%  
Load Class: A



### Polyethylene Slot DG0670

Length: 24" (Nominal)  
Open Area: 18%  
Load Class: B



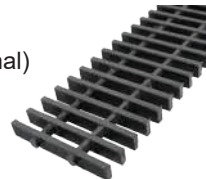
### Stainless Steel Wedge Wire DG0655

Length: 48" (Nominal)  
Open Area: 23%  
Load Class: B



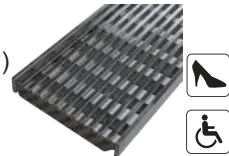
### Vinyl Ester Fiberglass DG0644

Length: 48" (Nominal)  
Open Area: 46%  
Load Class: B



### Stainless Steel Wedge Wire Reinforced DG0655R

Length: 48" (Nominal)  
Open Area: 23%  
Load Class: D



### Ductile Iron Transverse Slot DG0675HD

Length: 24" (Nominal)  
Open Area: 26%  
Load Class: D



### Ductile Iron Slot DG0641D

Length: 24" (Nominal)  
Open Area: 39%  
Load Class: D



### Stainless Steel Bar DG0669

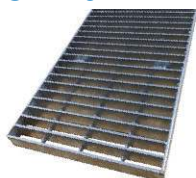
Length: 48" (Nominal)  
Open Area: 42%  
Load Class: E



## SS1200 Compatible Grates

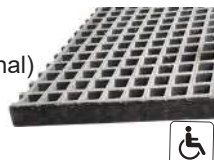
### Galvanized Steel Bar FG1248R

Length: 24" (Nominal)  
Open Area: 35%  
Load Class: C



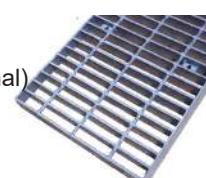
### Mesh Fiberglass FG1245

Length: 48" (Nominal)  
Open Area: 70%  
Load Class: A



### Stainless Steel Bar FG1247R

Length: 24" (Nominal)  
Open Area: 35%  
Load Class: C



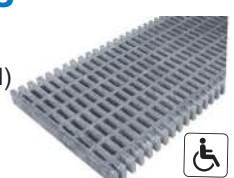
### Ductile Iron Slot FG1241

Length: 24" (Nominal)  
Open Area: 61%  
Load Class: C



### Mesh Fiberglass FG1244

Length: 48" (Nominal)  
Open Area: 48%  
Load Class: C



# Variety of Grates

## Ductile Iron Slot

TG1242

Length: 24" (Nominal)

Open Area: 61%

Load Class: E



## Ductile Iron Transverse Slot

FG1275

Length: 24" (Nominal)

Open Area: 35%

Load Class: E



## Ductile Iron Slot

FG1246

Length: 24" (Nominal)

Open Area: 61%

Load Class: F



# Cover Options & Accessories

## Stainless Steel Solid Cover

DG0667R

Length: 48" (Nominal)

Load Class: A



## Galvanized Reinforced Solid Cover

DG0645

Length: 48" (Nominal)

Load Class: C

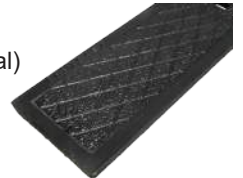


## Cast Iron Solid Cover

DG0641S

Length: 24" (Nominal)

Load Class: D



## Installation Brackets

Simplify your installation with the SS500/SS600/SS1200 installation brackets. The brackets bolt to the bottom of the support legs. Holes accept #4 or #5 rebar (not included). Side bolts allow for easy channel height adjustment and secure alignment of channels during concrete pour.



## Gaskets

Gaskets are made of neoprene rubber 40A durometer and are designed to fit between two connecting channels for a tight seal. These are available in different sizes to accommodate for sloped channels and for in line catch basins.



## Hold Down Devices

Stainless steel hold-down devices securely fasten your stainless steel or fiberglass grates.

SS500/SS600



SS1200



## Debris Outlet Strainer

Keep leaves out of your outlet pipes with the debris strainer. Made from stainless steel for longevity. Fits 4" outlet holes.



Our Selection of channels handle drainage capacities ranging from 30 to 6,700 Gallons Per Minute (GPM). Whether you're installing a pool, starting a brewery or working on a major transportation project, we can recommend the right drainage solution.

### Light/Residential Traffic



**Patios • Pools • Parks • Spas  
Residential • Memorials**

- 3" Plastic Channels
- High End Look
- Grate Options in Bronze, Cast Iron and Stainless Steel
- 3 Styles of Metal Edging
- 12 Grate Designs
- Connects to PVC Schedule 40



**Patios • Pools • Parks • Spas  
Courtyards • Residential**

- 2" Options for NDS® Slim Channel
- 3" Options for NDS® Mini Channel
- 4" Options for NDS® Spee-D Channel
- 6" Options for POLYCAST® 600
- Exclusive Patterns
- Grate Options in Bronze, Aluminum, Stainless Steel, Galvanized Steel, and Ductile Iron
- ADA/Heel Friendly Options
- Over 111 Variations Available

### Medium/Commercial Traffic



**General Commercial • Auto  
Pedestrian • Sports • Hotels  
Kennels • Walkways • Parking Lots**

- Metric Polymer Concrete Channels
- Built-In Edge Options - Stainless Steel/Galvanized/Ductile Iron
- Decorative Grate Compatible
- .5% Pre-Sloped & Neutral
- Shallow Channels Available
- Resistant to 50+ Chemicals
- Slot Drain Grate Option
- Economic Options Available



**Commercial • Breweries • Kennels  
Loading Docks • Sports Fields  
Parking & Garages**

- Polymer Concrete - Polyester or Vinyl Ester
- Stainless Edge Cover Option
- Decorative Grate Compatible
- .6% Pre-Sloped & Neutral
- Shallow Channels Available
- Chemical Resistance
- Heat Resist - Polyester 120°, Vinyl Ester 180° Continuous Flow
- Made In the USA



**Restaurants • Breweries • Wineries  
Hospitals • Industrial • Beverage**

- 304 Stainless Steel/316L (Special Order)
- Decorative Grate Compatible
- 1% Pre-Sloped, Shallow & Neutral
- Chemical Resistance
- Heat Resist - 212° Continuous Flow
- SS500, SS600, SS1200
- 5" shallow, 6", 12" Channel Widths

### Heavy/Industrial Traffic



**Refineries • Industrial • Ports  
Transportation • Airports • Rail  
Military Bases • Loading Docks  
Highways • Firestations**

#### FP Series

- Stainless/Galvanized Steel Frames
- Fiberglass Channels
- Channel Lengths of 4', 6' & 8'
- Channel Widths 6", 8" & 12"
- Frame Supports 1.5" Thick Grates
- Grates are Class A thru F Load Rating
- 1% Pre-Sloped & Neutral
- 6", 8" or 10" Outlets
- Chemical Resistant
- Lightweight/Easy to Handle

#### FF Series - Frame & Grate

- Stainless/Galvanized Steel Frames
- Frame Lengths 4', 6', & 8'
- Frame Width Set w/ Spanner Bar: 8", 10", 12", 14" & 17"
- Frame Supports 1.5" Thick Grates
- Grates Are Class A thru F Load Ratings

#### FE Series

- Stainless/Galvanized Steel Frames
- EPS Channel Form
- Frame Lengths 4', 6', & 8' Lengths
- Frame Width Set w/ Spanner Bar: 8", 10", 12", 14" & 17"
- Frame Supports 1.5" Thick Grates
- Grates Are Class A thru F Load Ratings
- Form Widths: 6", 8", 10", 12" & 15"



PO Box 377 • Fremont, Ohio 43420 USA • Phone (610) 638-1221 • [shop@trenchdrain.com](mailto:shop@trenchdrain.com) • [TrenchDrain.com](http://TrenchDrain.com)

