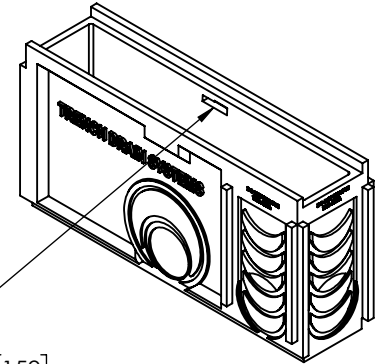


TP0650S

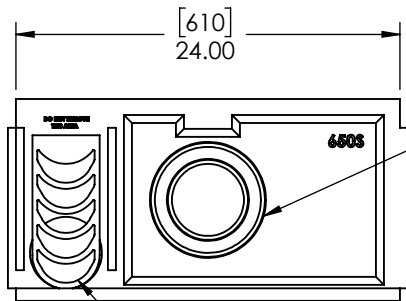
POLYCAST 600 SERIES CATCH BASIN 6" x 24" x 12"

MEETS THE FOLLOWING STANDARDS & SPECIFICATIONS:

- DIN 19580 / DIN EN 1433 DRAINAGE CHANNELS FOR VEHICULAR AND PEDESTRIAN AREAS.
- AASHTO H-20 AND H-25 PER AASHTO M-306 DRAINAGE, SEWER, UTILITY, AND RELATED CASTINGS



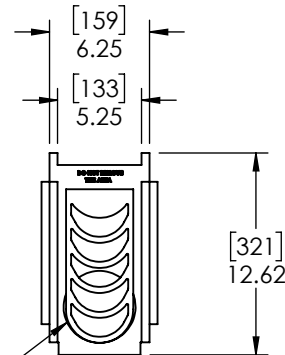
INTEGRAL GROOVE FOR LOCKING DEVICE



[610]
24.00

4" & 6" DRILL
 OUTS EACH SIDE

CUT-OUTS FOR 605, 610,
 615, 620, AND 625 CHANNELS
 AND THEIR CORRESPONDING
 HALVES AND NEUTRALS

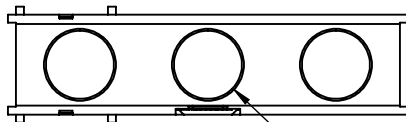


[159]
6.25

[133]
5.25

[321]
12.62

4" DRILL OUT



4" DRILL OUT

4.00" SCH 40 & 80 PVC DRILL SIZE 4.50"
 4.00" SDR-35 SEWER DRAIN DRILL SIZA 4.25"

MANUFACTURER



DISCLAIMER - The customer and the customer's architects, engineers, consultants, and other professionals are completely responsible for the selection installation and maintenance of any product purchased from Trench Drain Systems and/or its manufacturers. TRENCH DRAIN SYSTEMS MAKES NO WARRANTY, EXPRESS OR IMPLIED, AS TO THE SUITABILITY, DESIGN, MERCHANTABILITY, OR FITNESS OF THE PRODUCT FOR CUSTOMERS APPLICATION. The drawing and information provided remain the property and copyright of the manufacturer listed. The manufacturer reserves the right to modify specification without notice.

ENGINEERING SPECIFICATION

TDS-POLYCAST CATCH BASINS ARE DESIGNED TO BE USED AS COLLECTION POINTS, DRAIN RUN TRANSITIONS AND INTERCEPTORS TO COLLECT SOLID DEBRIS. CATCH BASINS ARE DESIGNED TO ACCOMMODATE ALL DRAIN CHANNEL SIZES AND HAVE CUT-OUTS DESIGNED SPECIFICALLY FOR CHANNELS WITH CATALOG NUMBERS ENDING IN 5, 0, N, AND H.