



**610-638-1221**  
**sales@trenchdrain.com**  
 PO BOX 377 - FREMONT, OH 43420

PROJECT ID: \_\_\_\_\_  
 CONTRACT NO: \_\_\_\_\_

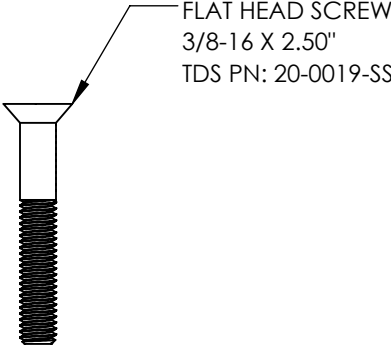
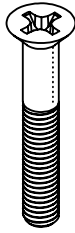
LOCATION: \_\_\_\_\_

RELEASED: 4.4.25  
 REVISION: C

<b>SA0542S</b> (FORMALLY SS0542S)	<b>LOCKING DEVICE FOR TDS SS500 SERIES W/STAINLESS STEEL &amp; HDPE GRATE</b>
--------------------------------------	---

GRATE TYPE	PART NO.		DIN LOAD CLASS
	24.00"	48.00"	
STAINLESS STEEL CATHEDRAL	DG0630H	DG0630	A
STAINLESS STEEL TRANSVERSE SLOTTED	DG0631H	DG0631	A
STAINLESS STEEL FOAM	DG0632H	DG0632	A
STAINLESS STEEL SQUARE DECO	DG0633H	DG0633	A
STAINLESS STEEL SLOTTED	DG0647H	DG0647	B
STAINLESS STEEL WEDGE WIRE	DG0655H	DG0655	B
STAINLESS STEEL WEDGE WIRE - REINFORCED	DG0655RH	DG0655R	D
STAINLESS STEEL PERFORATED	DG0657H	DG0657	B
STAINLESS STEEL COVER	DG0667H	DG0667	A
HPDE SLOTTED	DG0670	N/A	B
HPDE SLOTTED - GRAY	DG0670G	N/A	B
HPDE TRANSVERSE SLOTTED	DG0675	N/A	B
HPDE TRANSVERSE SLOTTED - GRAY	DG0675G	N/A	B

TRENCH DRAIN SYSTEMS SA0542S SERIES LOCKING DEVICES ARE TO BE USED WITH ALL GRATING SYSTEMS WHERE WHEEL TRAFFIC OCCURS. THIS IS NECESSARY TO PROVIDE SYSTEM INTEGRITY. USED ON TDS SS500 SERIES SYSTEM WITH STAINLESS STEEL OR HDPE GRATES.



DISCLAIMER - The customer and the customer's architects, engineers, consultants, and other professionals are completely responsible for the selection installation and maintenance of any product purchased from Trench Drain Systems and/or its manufacturers. TRENCH DRAIN SYSTEMS MAKES NO WARRANTY, EXPRESS OR IMPLIED, AS TO THE SUITABILITY, DESIGN, MERCHANTABILITY, OR FITNESS OF THE PRODUCT FOR CUSTOMERS APPLICATION. The drawing and information provided remain the property and copyright of the manufacturer listed. The manufacturer reserves the right to modify specification without notice.