

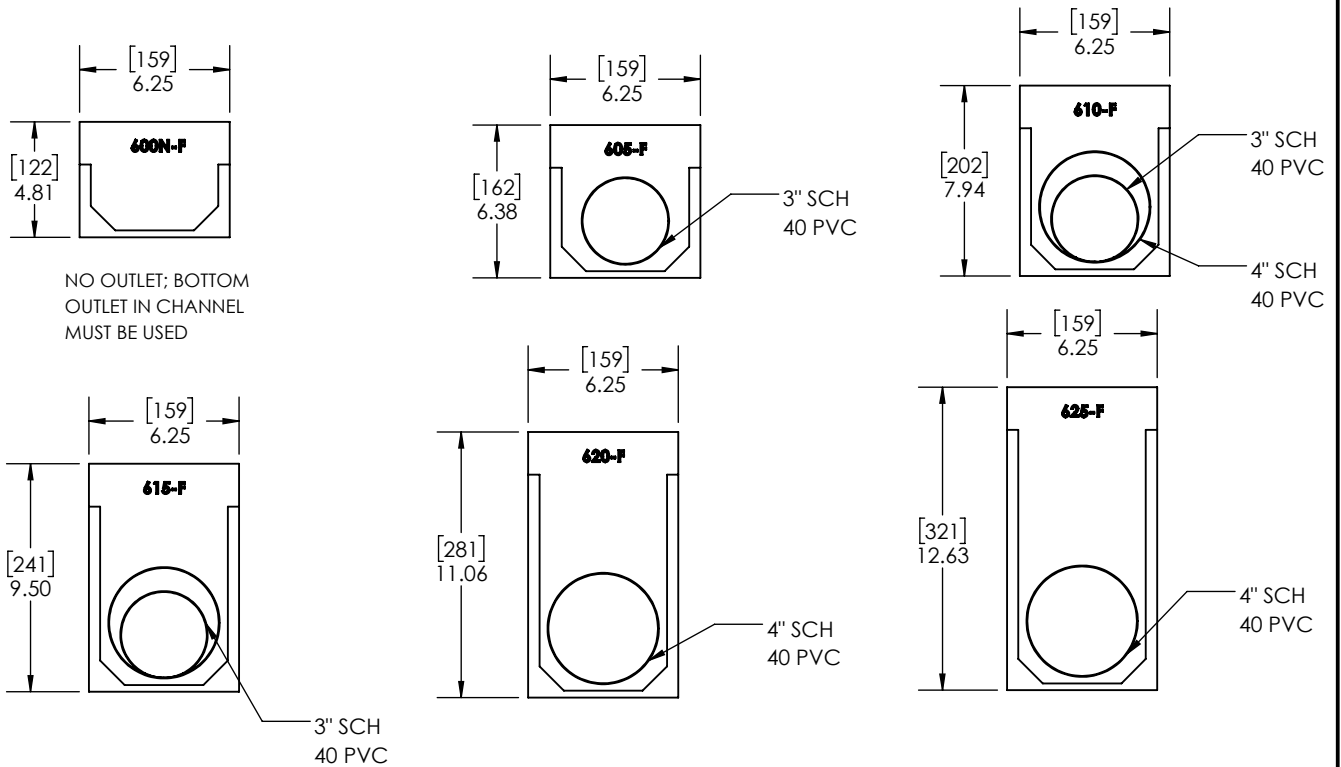
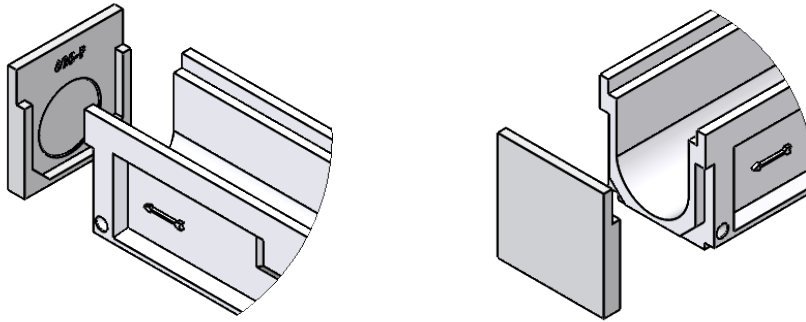
RELEASED: 10.20.25  
 REVISION: E

DP0600F & DV0600F

POLYCAST 600 & 700 POLYMER CONCRETE END CAP - OUTLET

CHANNEL NO.	NO EDGING		GALVANIZED EDGING *		STAINLESS EDGING *	
	POLYESTER	VINYL ESTER	POLYESTER	VINYL ESTER	POLYESTER	VINYL ESTER
600N	DP0600NF	DV0600NF	DP0600NFA	DV0600NFA	DP0600NFB	DV0600NFB
605, 605H & 605N	DP0605F	DV0605F	DP0605FA	DV0605FA	DP0605FB	DV0605FB
610	DP0610F	DV0610F	DP0610FA	DV0610FA	DP0610FB	DV0610FB
615, 615H & 615N	DP0615F	DV0615F	DP0615FA	DV0615FA	DP0615FB	DV0615FB
620	DP0620F	DV0620F	DP0620FA	DV0620FA	DP0620FB	DV0620FB
625, 625H & 625N	DP0625F	DV0625F	DP0625FA	DV0625FA	DP0625FB	DV0625FB

\*NOTE: END CAPS WITH METAL EDGING CANNOT BE USED ON POLYCAST 700 SERIES



DISCLAIMER - The customer and the customer's architects, engineers, consultants, and other professionals are completely responsible for the selection installation and maintenance of any product purchased from Trench Drain Systems and/or its manufacturers. TRENCH DRAIN SYSTEMS MAKES NO WARRANTY, EXPRESS OR IMPLIED, AS TO THE SUITABILITY, DESIGN, MERCHANTABILITY, OR FITNESS OF THE PRODUCT FOR CUSTOMERS APPLICATION. The drawing and information provided remain the property and copyright of the manufacturer listed. The manufacturer reserves the right to modify specification without notice.