



610-638-1221  
 sales@trenchdrain.com  
 PO BOX 377 - FREMONT, OH 43420

PROJECT ID: \_\_\_\_\_  
 CONTRACT NO: \_\_\_\_\_

LOCATION: \_\_\_\_\_

RELEASED: 1.21.26  
 REVISION: E

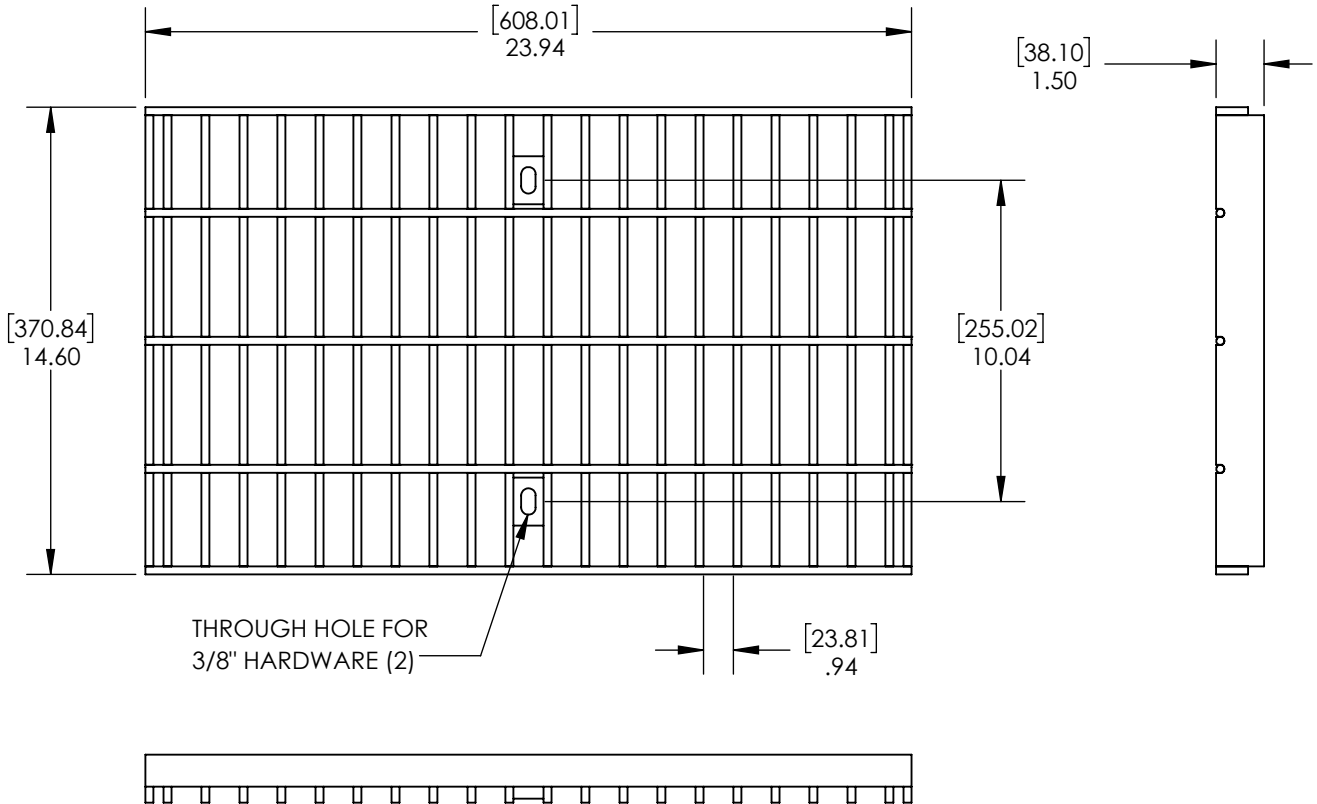
**DG1248R**  
 (FORMERLY FG1248R)      TRENCHERA GALVANIZED BAR GRATE 14.66"



MATERIAL	WEIGHT	OPEN AREA	FLOWRATE
GALVANIZED STEEL	40.00 LBS.	59%	351.24 GPM PER LINEAR FOOT WITH 1/2" OF HEAD

**DIN APPLICATION LOAD CLASS C:**  
 CURB SIDES, HIGHWAY SHOULDERS AND PARKING AREAS. DESIGNED FOR A DISTRIBUTED PRESSURE OF 56,200 LBS. (250kN)

SYSTEM	INSTALLATION PACK
FP1200 (WELDED FRAME W/CROSSBARS)	HW FGS
1200 SERIES (TRENCHERA)	FA1442B
SS1200	SA1442B
SS SERIES (SS651)	SA1442B



DISCLAIMER - The customer and the customer's architects, engineers, consultants and other professionals are completely responsible for the selection, installation and maintenance of any product purchased from Trench Drain Systems and/or its manufacturers. TRENCH DRAIN SYSTEMS MAKES NO WARRANTY, EXPRESS OR IMPLIED, AS TO THE SUITABILITY, DESIGN, MERCHANTABILITY, OR FITNESS OF THE PRODUCT FOR CUSTOMERS APPLICATION. The drawing and information provided remain the property and copyright of the manufacturer listed. The manufacturer reserves the right to modify specification without notice.