

DG0900RC

POLYCAST 900 SERIES DUCTILE IRON REMOVABLE SLOTTED GRATE AND FRAME



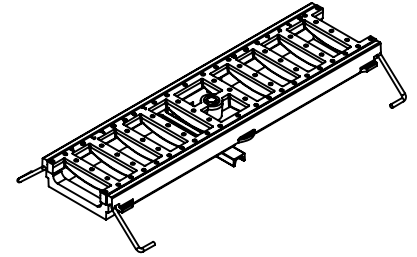
PART NO.	MATERIAL	WEIGHT
DG0900RC	DUCTILE IRON	28 LBS.

**DIN APPLICATION LOAD CLASS D:**

HIGHWAY VEHICLE AND COMMERCIAL AIRCRAFT, LOW TO MODERATE SPEEDS. PARKING AREA, DRIVEWAYS AND WAREHOUSES. DESIGNED FOR A DISTRIBUTED PRESSURE OF 89,982 LBS. (400kN)

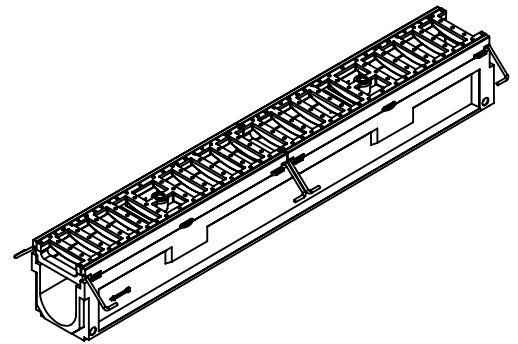
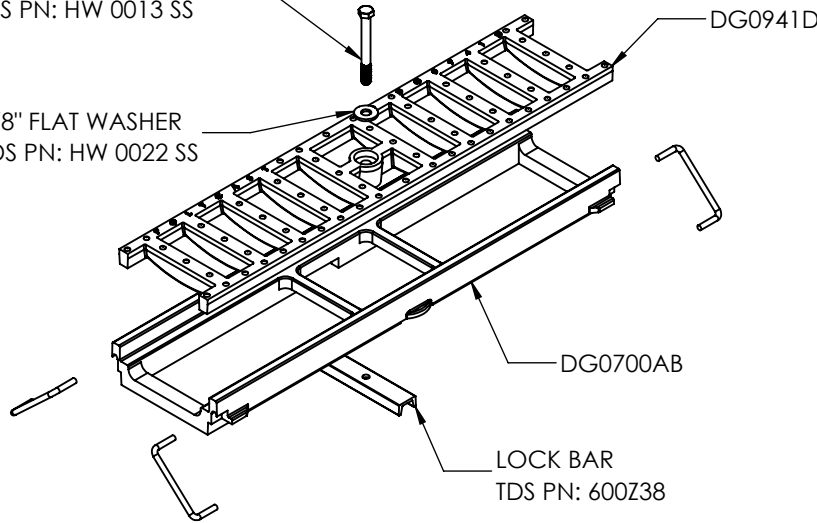
**MEETS THE FOLLOWING STANDARDS & SPECIFICATION:**

- FEDERAL AVIATION ADMINISTRATION (FAA) ADVISORY CIRCULAR AC 150/5320-6E APPENDIX 3. DESIGN OF STRUCTURES FOR HEAVY AIRPLANES.
- AASHTO H-20 AND H-25 PER AASHTO M-306 DRAINAGE, SEWER, UTILITY AND RELATED CASTINGS.



HEX HEAD CAP SCREW  
 3/8-16 X 3.50"  
 TDS PN: HW 0013 SS

3/8" FLAT WASHER  
 TDS PN: HW 0022 SS



**MANUFACTURER**



DISCLAIMER - The customer and the customer's architects, engineers, consultants, and other professionals are completely responsible for the selection installation and maintenance of any product purchased from Trench Drain Systems and/or its manufacturers. TRENCH DRAIN SYSTEMS MAKES NO WARRANTY, EXPRESS OR IMPLIED, AS TO THE SUITABILITY, DESIGN, MERCHANTABILITY, OR FITNESS OF THE PRODUCT FOR CUSTOMERS APPLICATION. The drawing and information provided remain the property and copyright of the manufacturer listed. The manufacturer reserves the right to modify specification without notice.

**ENGINEERING SPECIFICATION**

TDS-POLYCAST 900 SERIES PRE-SLOPED TRENCH DRAIN SYSTEM IS A 0.65% SLOPED TRENCH DRAIN, WITH 6 1/4" [159MM] WIDE X A NOMINAL 48" [1219MM] LONG (STANDARD) POLYESTER POLYMER CONCRETE CHANNELS WITH TONGUE AND GROOVE CONNECTIONS. CHANNELS 605/610/615/620/625, NON-SLOPING (NEUTRALS) AND HALF CHANNELS 605H/615H/625H WILL BE SUPPLIED WITH DRILL OUTS FOR A 4" [102MM] BOTTOM OUTLET. GRATING LOCKING DEVICES, INSTALLATION CHAIRS AND END CAPS WITH A 4" [102MM] DRAIN DRILL OUT AS REQUIRED. LOCKING DEVICES ENGAGE THE IRON FRAME AND STAY CLEAR OF THE CHANNEL FLOW AREA. DRAIN SIDEWALL POCKETS ARE AVAILABLE TO HANG CHANNELS FROM EDGE FORMS DURING CONSTRUCTION. INSTALLATION CHAIRS ARE RECOMMENDED FOR INSTALLATION OF DRAINAGE CHANNELS.