

DG0646-DG0657

POLYCAST 600 PERFORATED GRATE



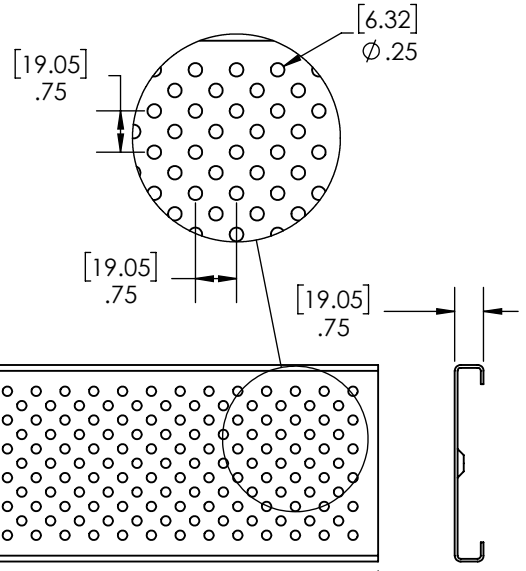
PART NO.	MATERIAL	WEIGHT	OPEN AREA	FLOW RATE
DG0646	GALVANIZED	7 LBS.	20%	41.1 GPM PER LINEAR FOOT WITH 1/2" OF HEAD
DG0646H		4 LBS.		
DG0657	304 SS	7 LBS.		
DG0657H		4 LBS.		

**DIN APPLICATION LOAD CLASS A:** PEDESTIAN, RESIDENTIAL, BICYCLES AND GOLF CARTS  
 DESIGNED FOR A DISTRIBUTED PRESSURE OF 3,372 LBS. (15kN)

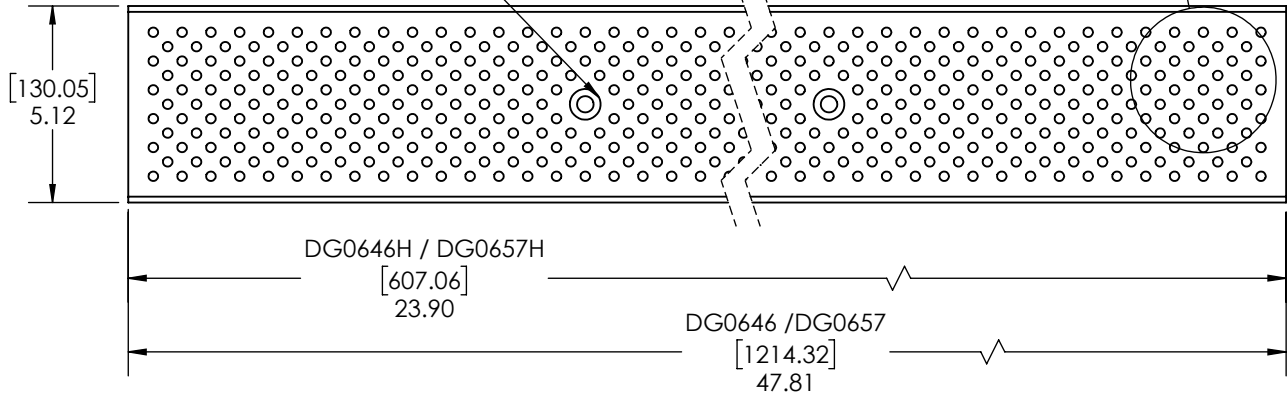
**MEETS THE FOLLOWING STANDARDS & SPECIFICATION:**

- THE AMERICANS WITH DISABILITIES ACT OF 1990: 4.5.4.
- ASME A112.6.3. SECTION 7.12 HEEL RESISTANT STRAINERS AND GRATES.

SYSTEM MFG	SYSTEM	LOCKING DEVICE	
		DG0646	DG0657
HUBBELL	POLYCAST 500	DA0542	DA0542S
	POLYCAST 600	DA0642	DA0642S
TDS	SS0500	NA	SS0542S
	SS0600	NA	SS0642S



COUNTER-SUNK THRU HOLE FOR 3/8" HARDWARE. (QTY. 2) ON 48" AND (QTY. 1) ON 24"



DISCLAIMER - The customer and the customer's architects, engineers, consultants and other professionals are completely responsible for the selection, installation and maintenance of any product purchased from Trench Drain Systems and/or its manufacturers. TRENCH DRAIN SYSTEMS MAKES NO WARRANTY, EXPRESS OR IMPLIED, AS TO THE SUITABILITY, DESIGN, MERCHANTABILITY, OR FITNESS OF THE PRODUCT FOR CUSTOMERS APPLICATION. The drawing and information provided remain the property and copyright of the manufacturer listed. The manufacturer reserves the right to modify specification without notice.