



610-638-1221
sales@trenchdrain.com
 PO BOX 377 - FREMONT, OH 43420

PROJECT ID: _____
 CONTRACT NO: _____

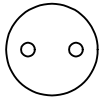
LOCATION: _____

RELEASED: 5.6.21
 REVISION: A

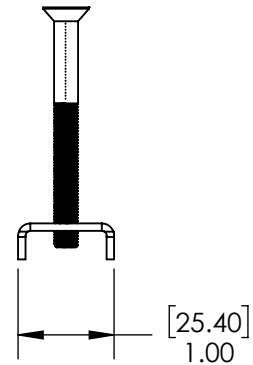
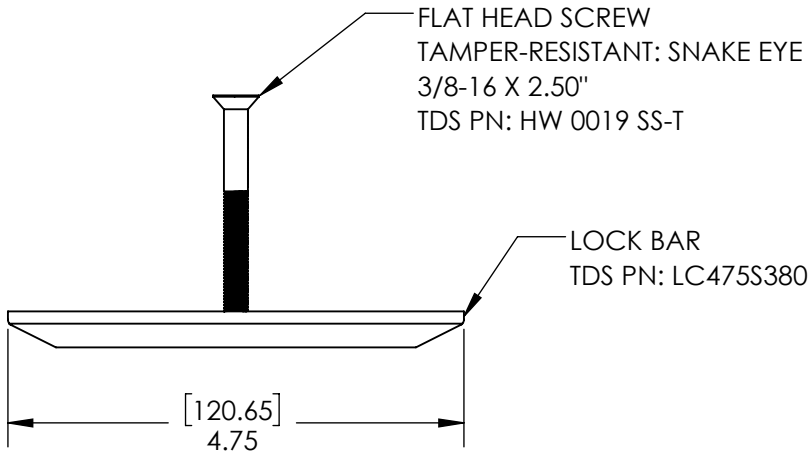
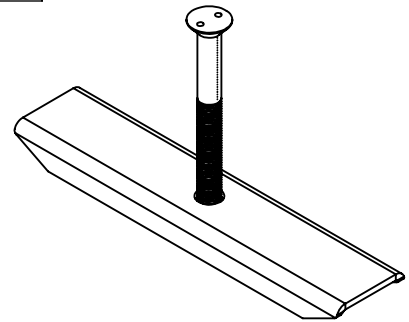
DA0642S-T TAMPER-RESISTANT LOCKING DEVICE FOR POLYCAST 600 SERIES w/ STAINLESS OR HDPE GRATE

GRATE TYPE	PART NO.		DIN LOAD CLASS
	24.00"	48.00"	
STAINLESS STEEL SLOTTED	DG0647H	DG0647	B
STAINLESS STEEL SLOTTED - REINFORCED	DG0647RH	DG0647R	C
STAINLESS STEEL WEDGE WIRE	DG0655H	DG0655	B
STAINLESS STEEL WEDGE WIRE - REINFORCED	DG0655RH	DG0655R	D
STAINLESS STEEL PERFORATED	DG0657H	DG0657	A
STAINLESS STEEL PERFORATED - REINFORCED	DG0657RH	DG0657R	C
STAINLESS STEEL COVER - SOLID	DG0667H	DG0667	A
HPDE SLOTTED	DG0670	N/A	B
HPDE SLOTTED - GRAY	DG0670G	N/A	B
HPDE TRANSVERSE SLOTTED	DG0675	N/A	B
HPDE TRANSVERSE SLOTTED - GRAY	DG0675G	N/A	B

TAMPER-RESISTANT PATTERN: SNAKE-EYE
 SPANNER BIT SOLD SEPARATELY



Hex Shank



MANUFACTURER



DISCLAIMER - The customer and the customer's architects, engineers, consultants, and other professionals are completely responsible for the selection installation and maintenance of any product purchased from Trench Drain Systems and/or its manufacturers. TRENCH DRAIN SYSTEMS MAKES NO WARRANTY, EXPRESS OR IMPLIED, AS TO THE SUITABILITY, DESIGN, MERCHANTABILITY, OR FITNESS OF THE PRODUCT FOR CUSTOMERS APPLICATION. The drawing and information provided remain the property and copyright of the manufacturer listed. The manufacturer reserves the right to modify specification without notice.

ENGINEERING SPECIFICATION

TRENCH DRAIN SYSTEMS DA0642S-T SERIES LOCKING DEVICES ARE TO BE USED WITH ALL GRATING SYSTEMS WHERE WHEEL TRAFFIC OCCURS. THIS IS NECESSARY TO PROVIDE SYSTEM INTEGRITY. USED ON POLYCAST 600 SERIES SYSTEM WITH STAINLESS & HDPE GRATE.