

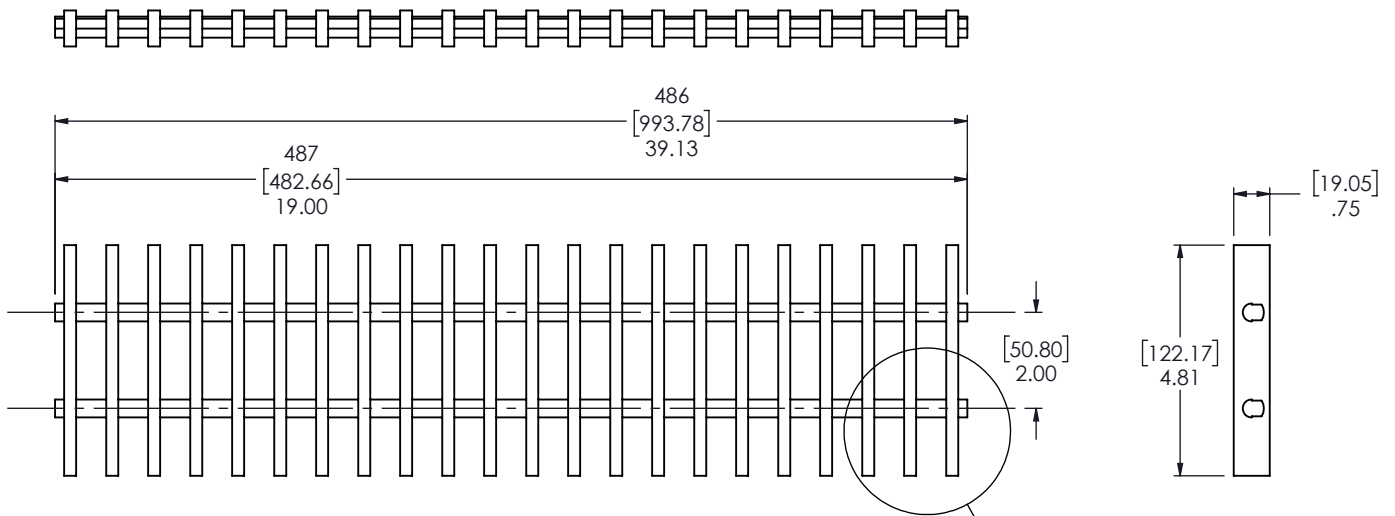
486 GRATE FRP VINYLESTER 0.88" BAR SPACING CLASS B



PART NO.	MATERIAL	WEIGHT	OPEN AREA	FLOW RATE
486	(FRP) FIBER REINFORCED POLYMER WITH VINYL ESTER RESIN	1.94 LBS.	60%	117.46 (GPM PER LINEAR FOOT WITH 1/2" OF HEAD)
487		4.00 LBS.		

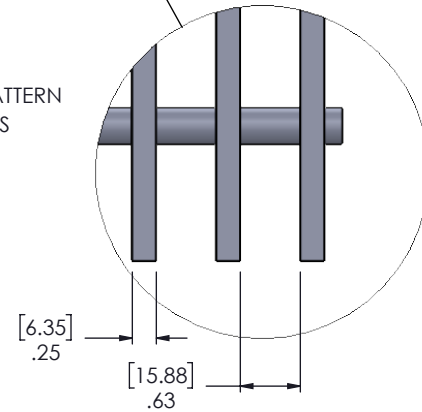
DIN APPLICATION LOAD CLASS B: SIDEWALKS, PARKING LOTS AND CAR PARKING DECKS. DESIGNED FOR A DISTRIBUTED PRESSURE OF 28,100 LBS. (125KN)

MEETS THE FOLLOWING STANDARDS & SPECIFICATION: DIN 19580 / DIN EN 1433 DRAINAGE CHANNELS FOR VEHICULAR AND PEDESTRAIN AREAS.



SYSTEM MFG	SYSTEM	LOCKING DEVICE
ULMA	U100K & U100KX	LD100X-5
	U100K CATCH BASIN	LD100X-5CB
	M100K & M100KX	NONE AVAILABLE
	M100V	NONE AVAILABLE
	HYDROPLUS	LD100X-5
	HYDROPLUS MINI	NONE AVAILABLE
	D100	LD100X-5

GRATE PATTERN OPENINGS



DISCLAIMER - The customer and the customer's architects, engineers, consultants and other professionals are completely responsible for the selection, installation and maintenance of any product purchased from Trench Drain Systems and/or its manufacturers. TRENCH DRAIN SYSTEMS MAKES NO WARRANTY, EXPRESS OR IMPLIED, AS TO THE SUITABILITY, DESIGN, MERCHANTABILITY, OR FITNESS OF THE PRODUCT FOR CUSTOMERS APPLICATION. The drawing and information provided remain the property and copyright of the manufacturer listed. The manufacturer reserves the right to modify specification without notice.